

Fiber Checker 2005

Description:

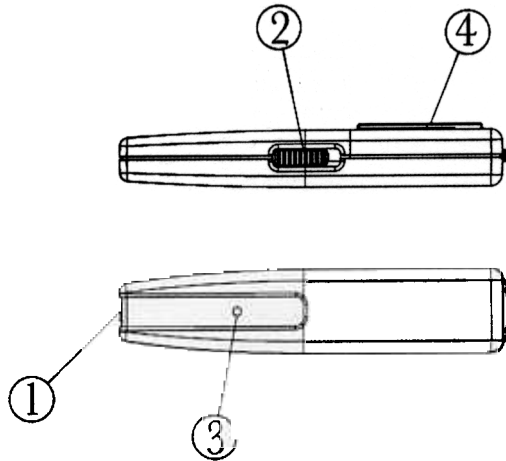
The FC-2005 Fiber Checker is used for checking the defects of a fiber cable. It sends a visible 650nm wavelength red laser light through fiber optic cables, the breaks or faults in the fiber will refract the light, creating a bright glow around the faulty area.

The universal connector can be used for all the most common fiber interfaces such as ST/ SC/ FC /FDDA. It is suitable to test both single mode and multi mode cables. With an optional 2.5mm to 1.25mm adapter, users can even test for 1.25 fiber cables. The visibility is up to 3 kilometers.

There is also a specially designed power circuit included; it provides steady power which avoids unstable laser output when the battery is low.

The output signal can be switched between CW or Pulse mode to get different visual effects. There is a dustproof cover which will prevent dust from getting into the inside of the interface. The cover also helps avoid incidental exposure of the laser to your eye.

Operation instructions:



- ① The dustproof
(a universal type fiber connector inside)
- ② 3 Sections slide switch: CW /Pulse /Power Off
- ③ Power indicator
- ④ Pen-clip

1

2

Operation instructions:

1. Powered by two 1.5V AAA batteries.
2. Lift the front dustproof up and insert the fiber cable to the universal connector.
3. Switch the slide switch to CW or Pulse position, the power indicator LED lights green. (Red light represents power low, please replace the batteries).
4. A visible 650nm wavelength red laser is visible through the fiber optic cable, the breaks or faults in the fiber will refract the light and create a bright glow around the faulty area.
5. This product has been passed through FDA Laser safety certifications, but we still highly recommend that you avoid any exposure to your eyes.

Specifications:

Laser class	Class IIIa
Wavelength	655nm±10nm@25°C
Spectral width	<10nm
Output Power	>600μW @25°C into 9μm fiber
Mode	CW/Pulse
Battery	AAA 1.5V x 2
Indicator	Power/Battery Low
Output power reliable	+/- 0.2mW
Spectral width	< 10nm
Range	Visibility to 3km
Operating temp	0°C ~ 50°C
Storage temp	0°C ~ 70°C

Fiber Checker Pro

User Manual

