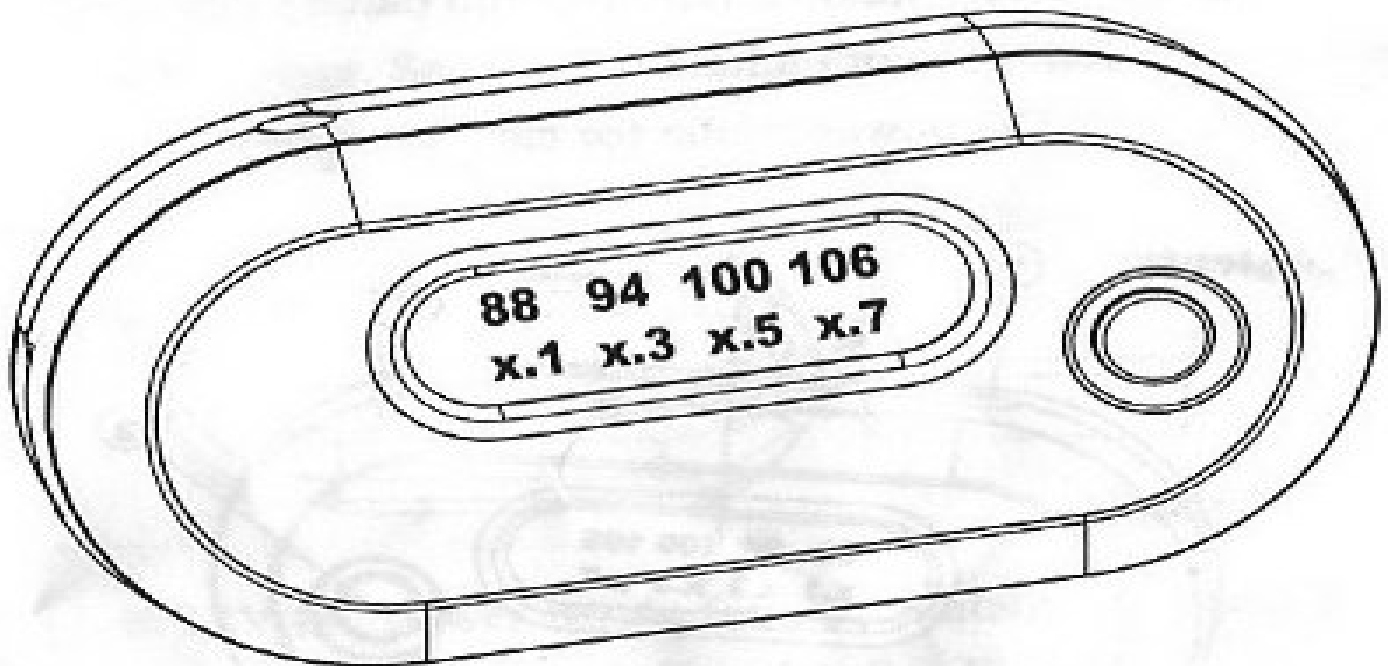


**CABLES  
TO GO**

**Port Authority2™ MP3 To FM Stereo Adapter  
User's Manual**



**FC**

● **Features:**

- USB Input Voltage/ Current: DC +5V / 85mA(Max.)
- Battery Voltage/ Current: DC +3V / 100mA(Max.)
- Battery continuous working time: 6 hours (approximate)
- Battery stand by time: 300 hours (approximate)
- Output RF range: 88.1, 88.3, 88.5, 88.7, 94.1, 94.3, 94.5, 94.7, 100.1, 100.3, 100.5, 100.7, 106.1, 106.3, 106.5, 106.7MHz. [16 channels]
- Smart/Auto power saving design, with ON/OFF button.
- Retractable audio cable for MP3 & CD players.
- Various optional power sources:
  - a. Two AAA alkaline batteries (no battery charging function) [Not included]
  - b. 12V DC power cradle for car

● **Contents:**

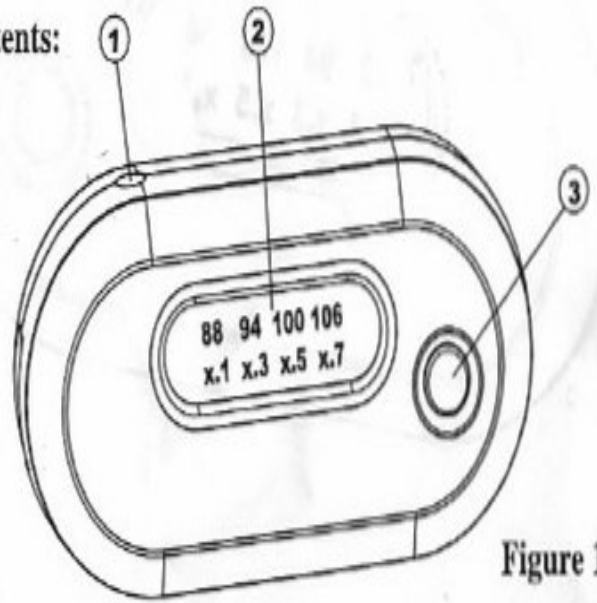


Figure 1.

1. Socket for Audio Cable.

2. LED Display

Displays the radio frequency the adapter is set to.

3. Function Key ○

Acts as a power ON/OFF and changes the radio frequency.

● **Installation Instruction:**

1. Connect the Port Authority2 MP3 to FM Stereo Adapter with the retractable audio cable. See Figure 2.

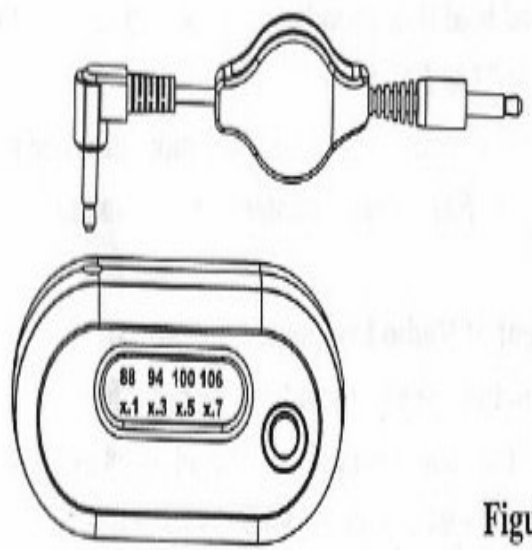


Figure2.

2. Power Supply:

a. Batteries. See Figure 3. (Please make sure the batteries placed in the proper poles)

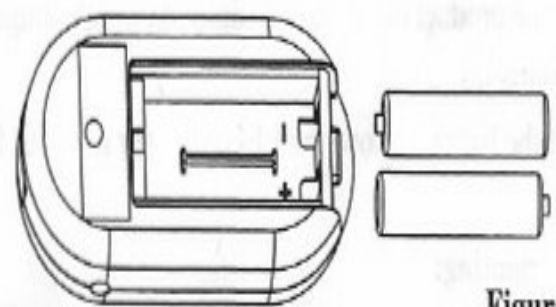


Figure3.

b. 12V DC power cradle for car. Suitable for car any car with a 12V ~ 24V DC outlet. See Figure 4.

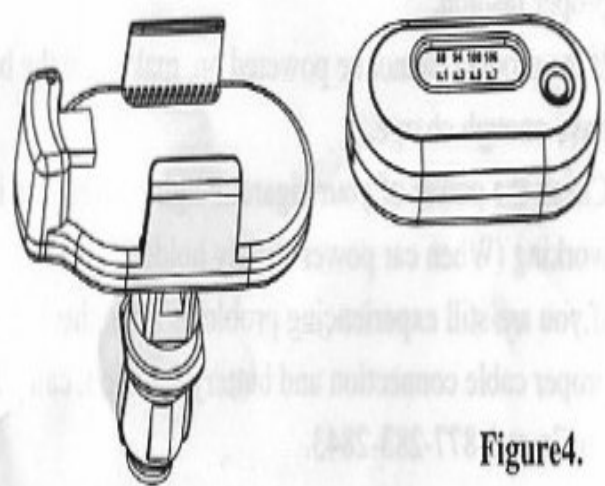


Figure4.

## ● Using the Digital Transmitter/ Power ON/OFF

1. Press (Function Key ○) once to turn on the *MP3 to FM Stereo Adapter*.
2. Press and hold (Function Key ○) for two seconds to turn off the *MP3 to FM Stereo Adapter*.
3. When audio input is terminated for more than one minute, the *MP3 to FM Stereo Adapter* turns off automatically.

## ● Adjustment of Radio Frequency Channels:

Press (Function Key ○) to adjust the radio frequency channels. The radio channels will be adjusted as 88.1 → 88.3 → 88.5 → 88.7 → 94.1 → 94.3 → 94.5 → 94.7 → 100.1 → 100.3 → 100.5 → 100.7 → 106.1 → 106.3 → 106.5 → 106.7 → 88.1 MHz.

## ● Notice of Usage:

- This product should be kept in dry conditions.
- Keep the product out of direct sunlight or high temperature environments.
- When the battery is low, the LED of upper row will flash.

## ● Troubleshooting:

If the MP3 to FM Stereo Adapter doesn't function properly during normal use:

- Check to ensure all cables are connected tightly and in the proper fashion.
- If the product cannot be powered on, make sure the batteries have enough charge.
- Check the power of your cigarette lighter to ensure it is working (When car power-supply holder is used.)
- If you are still experiencing problems after checking for proper cable connection and battery function, call Cables To Go at 1-877-283-2843.