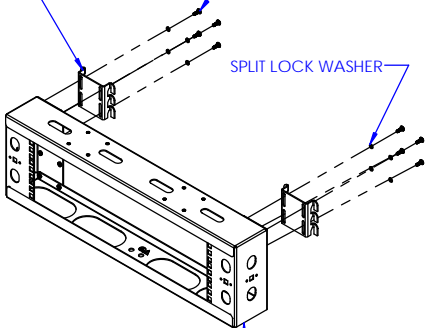


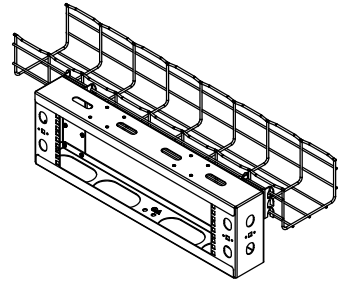
8 7 6 5 4 3 2 1

CABLOFIL CABLE TRAY MOUNTING BRACKET
PAN HEAD MOUNTING SCREW
SPLIT LOCK WASHER

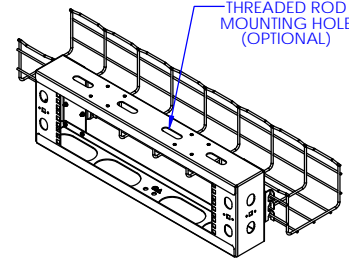


MAIN BRACKET 3RU 2 POST OVERHEAD RACK SYSTEM

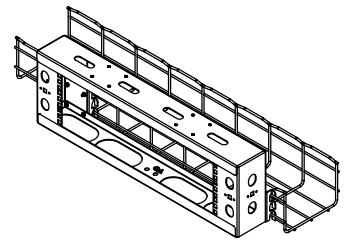
OR-QSOHR-3RU-W	WHITE
OR-QSOHR-3RU-B	BLACK
PART NO	COLOR
PART NUMBER DESIGNATIONS	



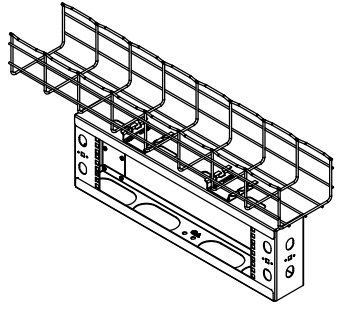
CABLE TRAY TOP MOUNTING



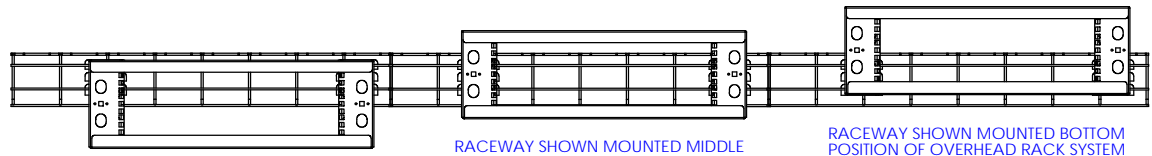
CABLE TRAY MIDDLE MOUNTING



CABLE TRAY BOTTOM MOUNTING



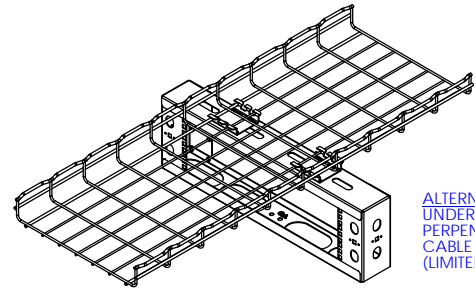
ALTERNATE MOUNTING UNDER CABLOFIL IN-LINE WITH CABLE PATH



RACEWAY SHOWN MOUNTED TOP POSITION OF OVERHEAD RACK SYSTEM

RACEWAY SHOWN MOUNTED MIDDLE POSITION OF OVERHEAD RACK SYSTEM

RACEWAY SHOWN MOUNTED BOTTOM POSITION OF OVERHEAD RACK SYSTEM



ALTERNATE MOUNTING UNDER CABLOFIL PERPENDICULAR TO CABLE PATH (LIMITED WIDTHS APPLY)

UNLESS OTHERWISE STATED, DIMENSIONS ARE IN INCHES
TOLERANCES:
FRACTIONAL ± 1/16"
ANGULAR MATCH ± 1° BEND ± 1°
ONE PLACE DECIMAL ± .02
TWO PLACE DECIMAL ± .01
THREE PLACE DECIMAL ± .005

MATERIAL
SEE INDIVIDUAL COMPONENTS
FINISH
SEE TAB BLOCK

*** NOTICE ***
THIS DOCUMENT CONTAINS CONFIDENTIAL AND/OR PROPRIETARY INFORMATION INTENDED FOR USE ONLY BY THE INDIVIDUAL(S) PROVIDED.
NEITHER THIS DOCUMENT, NOR ANY INFORMATION CONTAINED HEREIN, MAY BE COPIED, DISTRIBUTED, DISCLOSED TO ANY THIRD PARTY OR USED IN ANY MANNER OTHER THAN FOR WHICH IT HAS BEEN PROVIDED, WITHOUT THE PRIOR WRITTEN CONSENT OF LEGRAND, INC.

NAME	DATE
JS	2/10/2017
JQ	2/13/2017
CV	2/16/2017

legrand WWW.LEGRAND.US

TITLE
OVERHEAD CABLE PATHWAY, Q SERIES, 3RU

SIZE	CAD FILE	DWG NO	REV
C	QSOHR3RUXC	OR-QSOHR-3RU-X	01
SCALE	SHEET		1 OF 1
1:8			

8 7 6 5 4 3 2 1

F
E
D
C
B
A

F
E
D
C
B
A