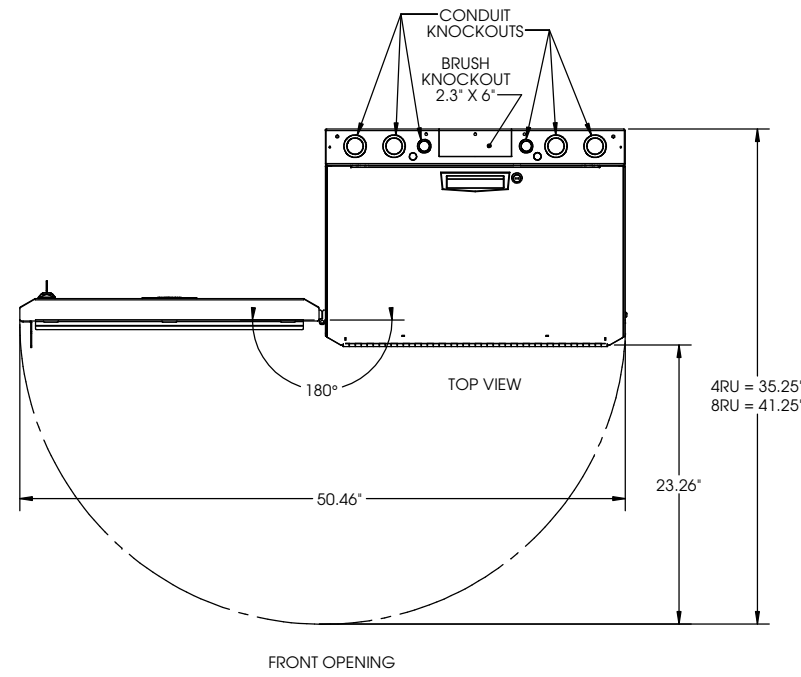
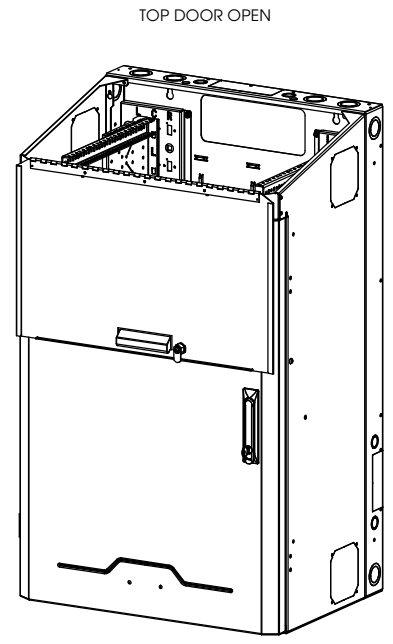
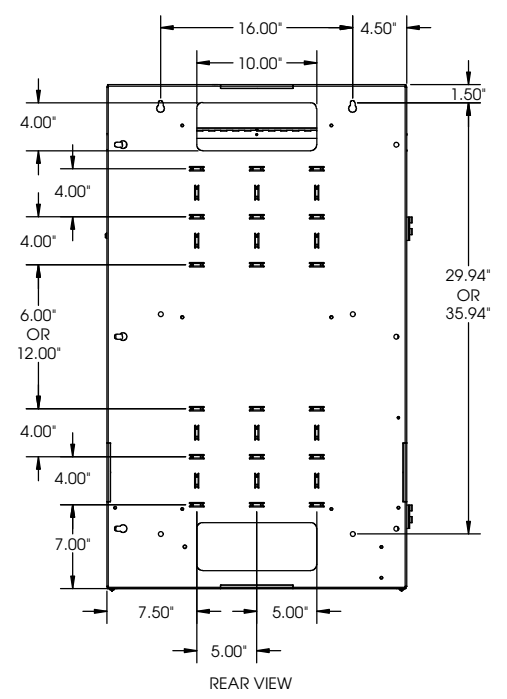
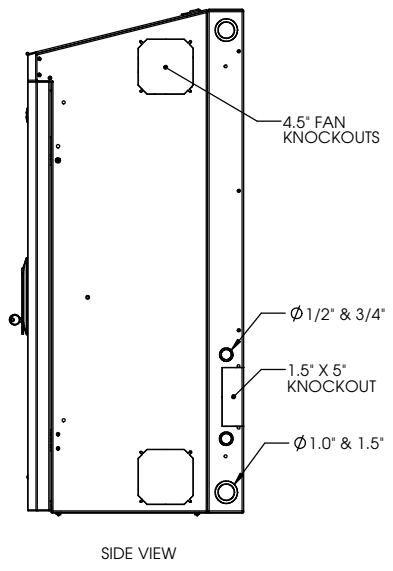
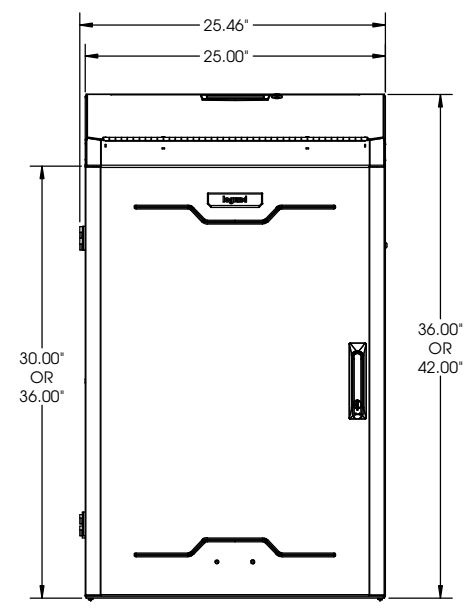
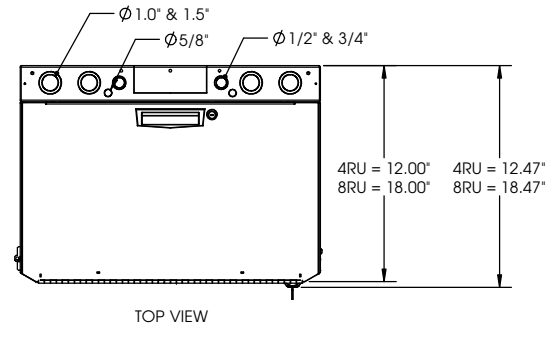
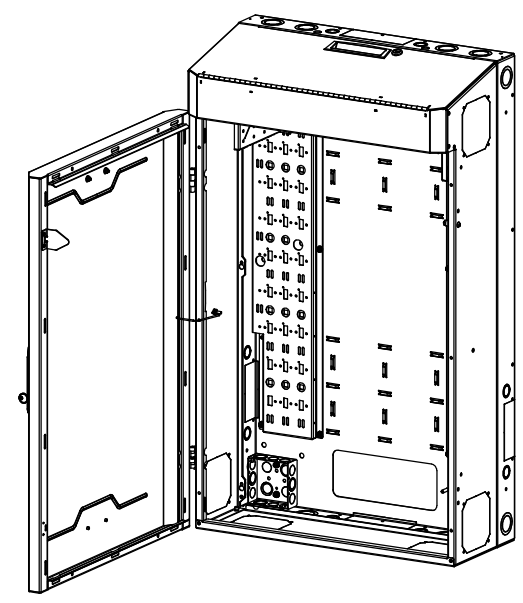


REVISIONS						
ECN#	ZONE	REV	DESCRIPTION	REV BY	CHK BY	DATE



UNLESS OTHERWISE STATED, DIMENSIONS ARE IN INCHES		*** NOTICE ***			
TOLERANCES: FRACTIONAL ± 1/16" ANGULAR MATCH ± 1° BEND ± 1° ONE PLACE DECIMAL ± .02 TWO PLACE DECIMAL ± .01 THREE PLACE DECIMAL ± .010		THIS DOCUMENT CONTAINS CONFIDENTIAL AND/OR PROPRIETARY INFORMATION INTENDED FOR USE ONLY BY THE INDIVIDUAL(S) PROVIDED. NEITHER THIS DOCUMENT NOR ANY INFORMATION CONTAINED HEREIN, MAY BE COPIED, DISTRIBUTED, DISCLOSED TO ANY THIRD PARTY OR USED IN ANY MANNER OTHER THAN FOR WHICH IT HAS BEEN PROVIDED, WITHOUT THE PRIOR WRITTEN CONSENT OF LEGRAND, INC.		125 EUGENE O'NEILL DRIVE NEW LONDON, CT 06320 TEL: 860-445-3800 FAX: 860-405-2990 WWW.ORTRONICS.COM	
MATERIAL		TITLE		VWM SPLIT DOOR	
FINISH		SIZE		DWG NO	
DWN ??		D		CP17-037-05	
CHK ??		SCALE		CP17-037-05	
APPR ??		1:8		SHEET 1 OF 1	