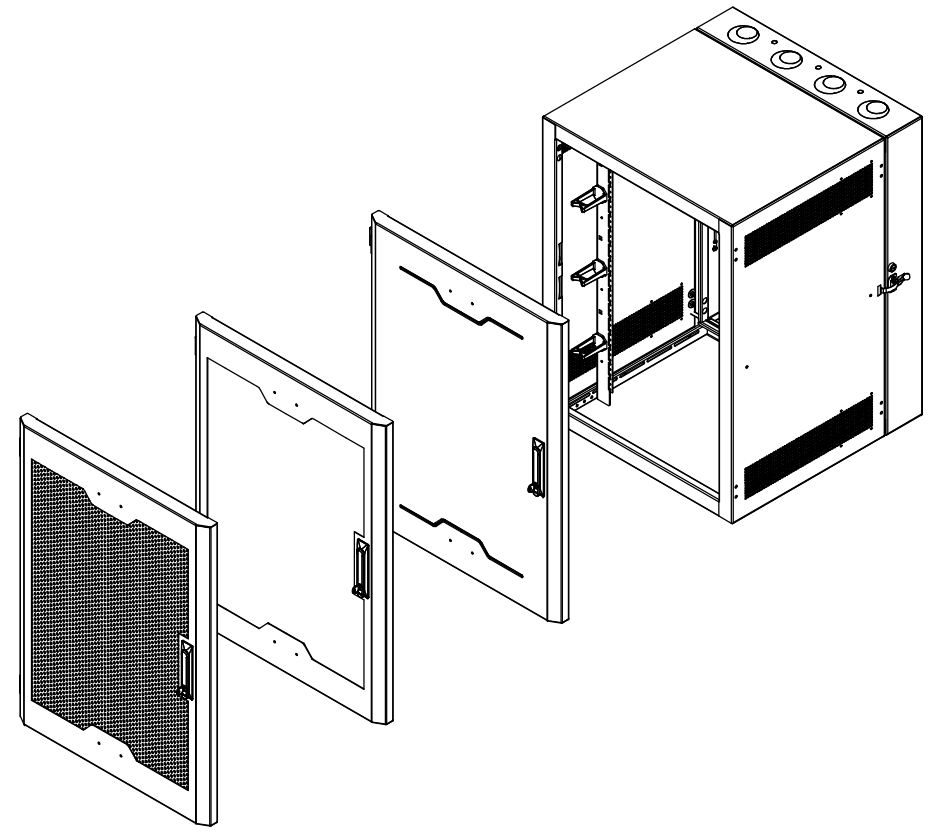
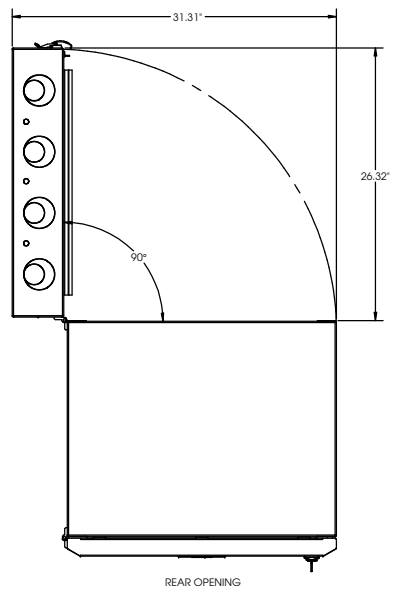
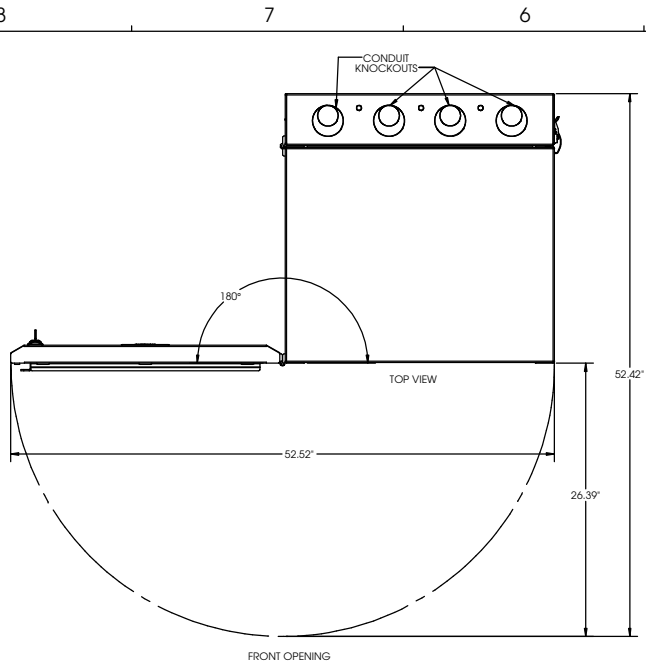
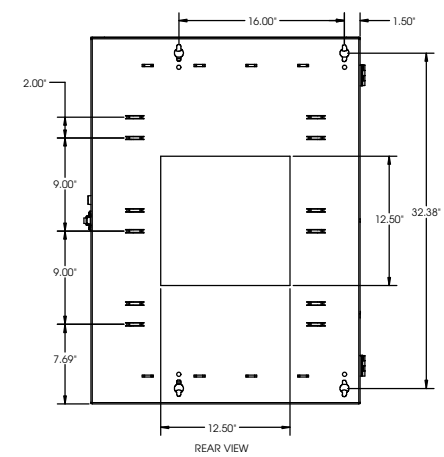
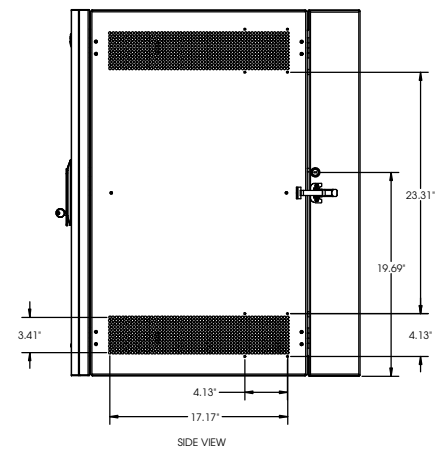
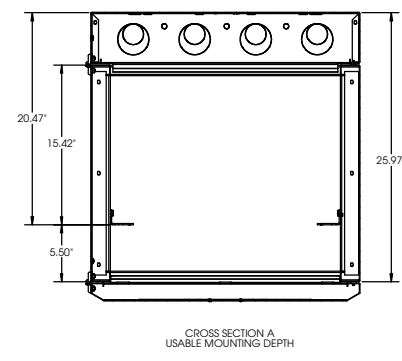
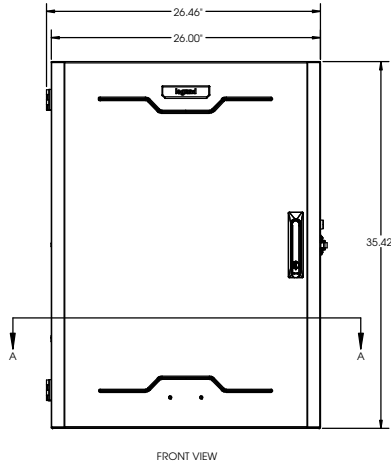
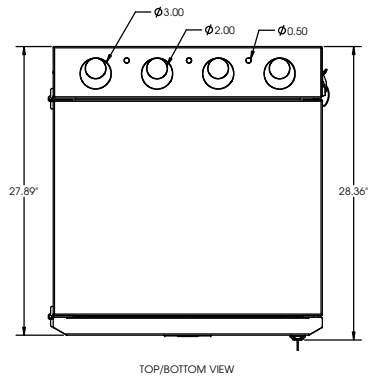


| REVISIONS | | | | REV BY | CHK BY | DATE |
|-----------|------|-----|-------------|--------|--------|------|
| ECN# | ZONE | REV | DESCRIPTION | | | |
| | | | | | | |



| <small>UNLESS OTHERWISE STATED, DIMENSIONS ARE IN INCHES</small> <small>FRACANCES DECIMALS</small> <small>ONE PLACE DECIMAL</small> <small>TWO PLACE DECIMAL</small> <small>THREE PLACE DECIMAL</small> <small>MATERIAL</small> | | <small>*** NOTICE ***</small> <small>THIS DOCUMENT CONTAINS CONFIDENTIAL AND/OR PROPRIETARY INFORMATION INTENDED FOR USE ONLY BY THE PERSONNEL LISTED BELOW. ANY UNAUTHORIZED DISSEMINATION, REPRODUCTION, COPIING, DISTRIBUTION, DESTRUCTION TO ANY THIRD PARTY OR USE IN ANY MANNER OTHER THAN FOR WHICH IT HAS BEEN PROVIDED, WITHOUT THE PRIOR WRITTEN CONSENT OF LEGRAND, INC.</small> | | | | <small>125 EUGENE, O'NEAL DRIVE</small> <small>NEW LONDON, CT 06258</small> <small>TEL: 860-445-5800</small> <small>FAX: 860-405-2980</small> <small>WWW.OMTRONICS.COM</small> | | | | | | | | | |
|--|------|--|------|---|----|--|----|-----|----|---|--|---|--|--|--|
| <small>TITLE</small> <p style="text-align: center;">SWM 18RU</p> | | | | <small>CAD FILE</small> <p style="text-align: center;">CP17-037-02</p> | | <small>DWG NO</small> <p style="text-align: center;">CP17-037-02</p> | | | | | | | | | |
| <small>FINISH</small> <table border="1"> <thead> <tr> <th>NAME</th> <th>DATE</th> </tr> </thead> <tbody> <tr> <td>??</td> <td>??</td> </tr> <tr> <td>CHK</td> <td>??</td> </tr> <tr> <td>APP</td> <td>??</td> </tr> </tbody> </table> | | NAME | DATE | ?? | ?? | CHK | ?? | APP | ?? | <small>SCALE</small> <p style="text-align: center;">1:12</p> | | <small>SHEET</small> <p style="text-align: center;">1 OF 2</p> | | <small>REV</small> <p style="text-align: center;">-</p> | |
| NAME | DATE | | | | | | | | | | | | | | |
| ?? | ?? | | | | | | | | | | | | | | |
| CHK | ?? | | | | | | | | | | | | | | |
| APP | ?? | | | | | | | | | | | | | | |

8 7 6 5 4 3 2 1



| | | | | | | | | | |
|--|--|---|--|--|--|---|--|-------------------------|--|
| <small>UNLESS OTHERWISE STATED: DIMENSIONS ARE IN INCHES</small> | | <small>*** NOTICE *** THIS DOCUMENT CONTAINS CONFIDENTIAL AND/OR PROPRIETARY INFORMATION INTENDED FOR USE ONLY BY THE REGULAR READER. IT IS NOT TO BE REPRODUCED, COPIED, REPRODUCED, OR IN ANY MANNER DISCLOSED TO ANY THIRD PARTY OR USED IN ANY MANNER OTHER THAN FOR WHICH IT HAS BEEN PROVIDED, WITHOUT THE PRIOR WRITTEN CONSENT OF ORTRONICS, INC.</small> | | | | <small>125 E. CLINTON, 0 DYNAL DRIVE NEW LONDON, CT 06258 TEL: 860-445-1800 FAX: 860-405-2980 WWW.ORTRONICS.COM</small> | | | |
| <small>FRISH</small> | | <small>TITLE</small> SWM, SOLID DOOR CABINET | | <small>CAD FILE</small> CP17-037-02 | | <small>DWG NO</small> SWMWWRUSD-26-26-Z | | <small>REV</small> - | |
| <small>NAME</small> ?? | | <small>DATE</small> ?? | | <small>SCALE</small> 1:12 | | <small>SHEET</small> 2 OF 2 | | <small>REV</small> - | |

8 7 6 5 4 3 2 1