

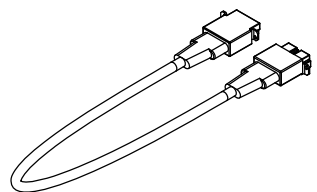
**MECHANICAL PARAMETERS:**

- WEIGHT 63.9 lbs.
- COLOR BLACK

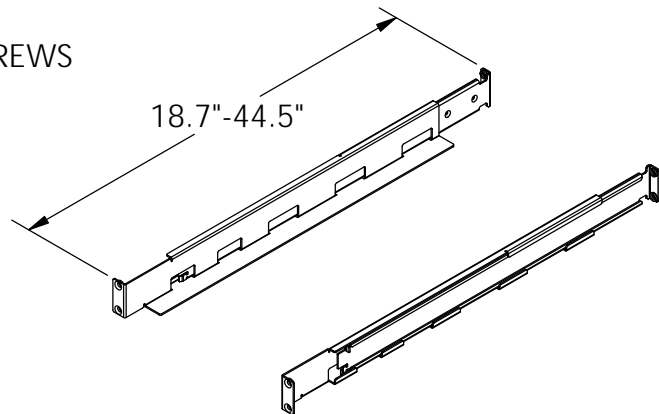
**ALSO INCLUDED**

- MANUAL
- (2) HOLDING BASKETS W/ SCREWS

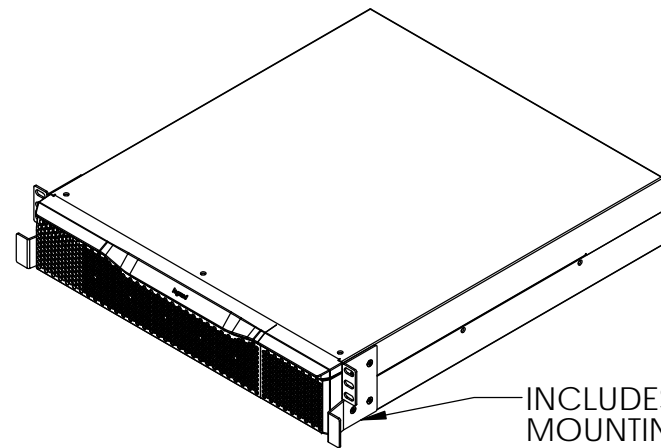
D



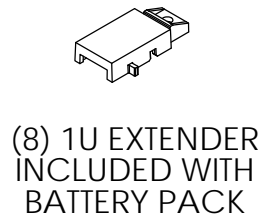
BATTERY CONNECTION CABLE 2'



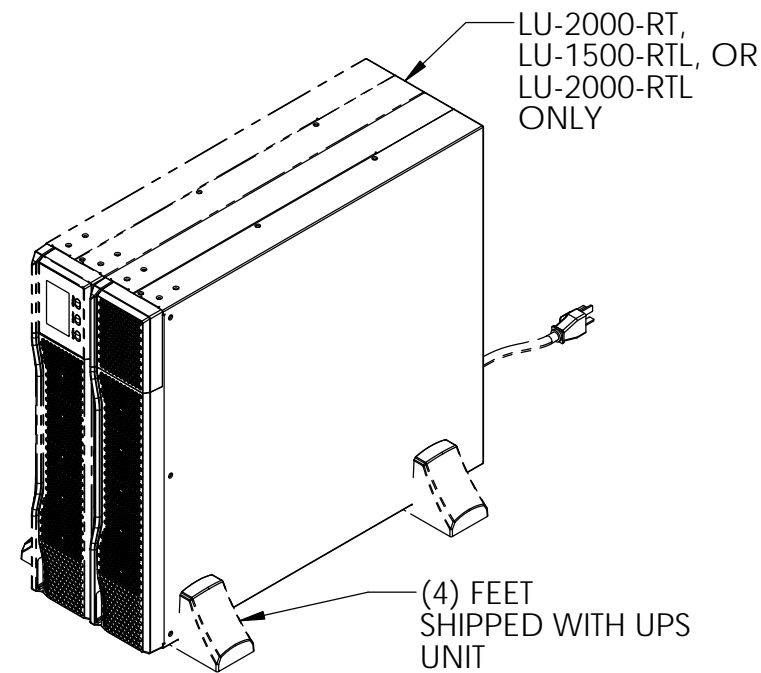
LU-4PKIT-2U 4-POST RAIL KIT, 2U  
 • (12) M6 RACK SCREWS  
 • (6) M6 CAGE NUTS



RACK MOUNT CONFIGURATION



(8) 1U EXTENDER INCLUDED WITH BATTERY PACK

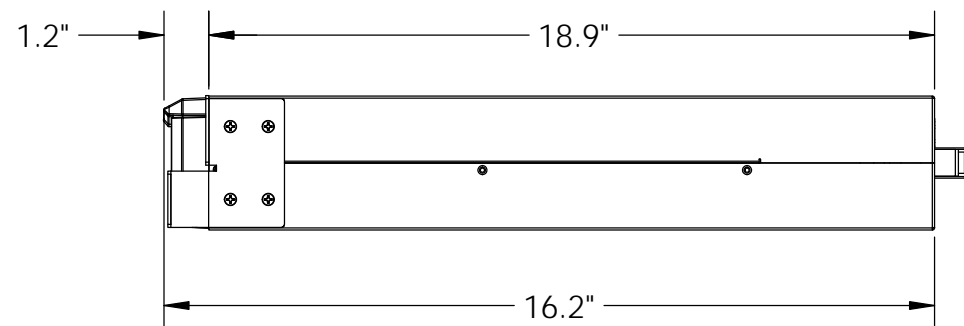
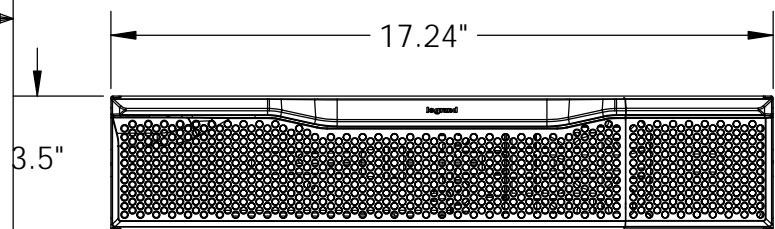


TOWER CONFIGURATION (SHOWN WITH UPS SOLD SEPARATELY)

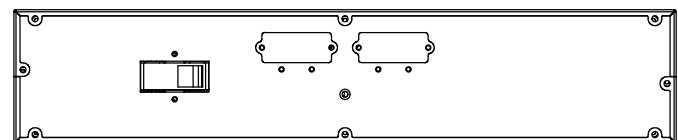
LU-2000-RT, LU-1500-RTL, OR LU-2000-RTL ONLY

(4) FEET SHIPPED WITH UPS UNIT

C



B



A

LU-2000-RT RUNTIME (MINUTES)

	100%	75%	50%	25%
UPS + 1 BATTERY	17.2	25.1	42.5	98.7
UPS + 2 BATTERY	33.1	47.0	79.1	181.9
UPS + 3 BATTERY	49.9	70.8	118.9	268.8
UPS + 4 BATTERY	67.7	96.0	160.6	357.4

LU-1500-RTL RUNTIME (MINUTES)

	100%	75%	50%	25%
UPS + 1 BATTERY	26.5	37.9	61.6	130.7
UPS + 2 BATTERY	52.2	74.4	120.6	250.76
UPS + 3 BATTERY	80.4	114.4	184.0	374.8
UPS + 4 BATTERY	110.4	156.4	249.4	500.4

LU-2000-RTL RUNTIME (MINUTES)

	100%	75%	50%	25%
UPS + 1 BATTERY	20.3	30.1	49.6	111.4
UPS + 2 BATTERY	38.6	56.2	92.4	204.5
UPS + 3 BATTERY	58.1	84.7	138.6	301.2
UPS + 4 BATTERY	78.8	114.8	186.7	399.5

\*\*\* NOTICE \*\*\*  
 THIS DOCUMENT CONTAINS CONFIDENTIAL AND/OR PROPRIETARY INFORMATION INTENDED FOR USE ONLY BY THE INDIVIDUAL(S) PROVIDED. NEITHER THIS DOCUMENT, NOR ANY INFORMATION CONTAINED HEREIN, MAY BE COPIED, DISTRIBUTED, DISCLOSED TO ANY THIRD PARTY OR USED IN ANY MANNER OTHER THAN FOR WHICH IT HAS BEEN PROVIDED, WITHOUT THE PRIOR WRITTEN CONSENT OF LEGRAND



TITLE  
 BATTERY PACK EXPANSION, UPS, 1.5kVA - 2kVA LINE IN - 2kVA ONLINE

	NAME	DATE	SIZE	CAD FILE	DWG NO	REV
DWN	MM	3/19/2019	B	LUBATT3C	LU-BATT-3	00
CHK	RJG	3/19/2019	SCALE 1:5		SHEET 1 OF 1	
APPR	CV	3/20/2019				

4

3

2

1

A