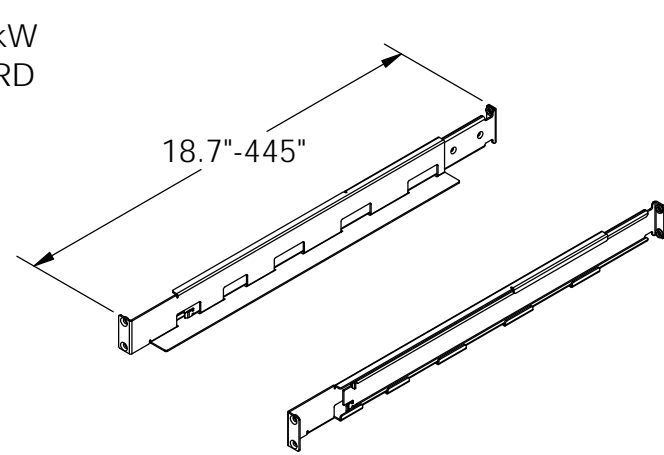


**ELECTRICAL PARAMETERS:**

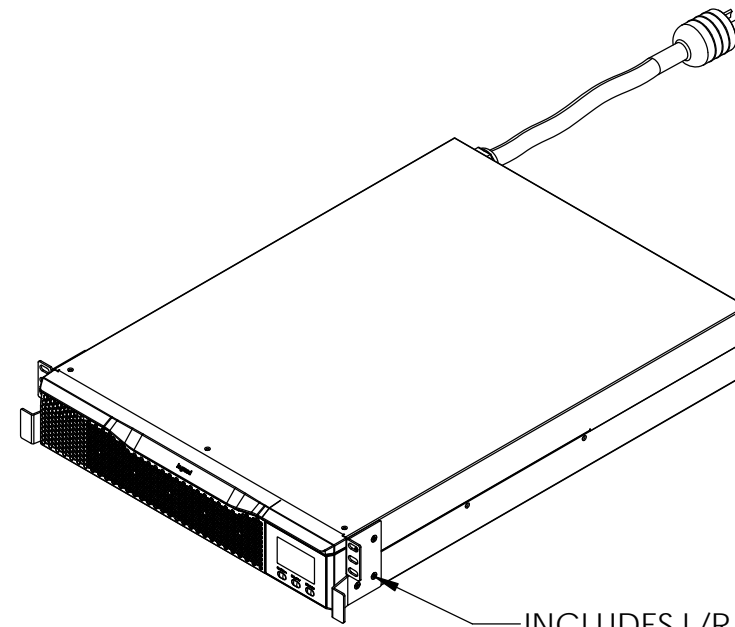
- DOUBLE-CONVERSION ONLINE, SINGLE-PHASE, 120V, 3.0kVA, 3.0kW
- INPUT TYPE: NEMA 5-30P, 6.0' CORD
- OUTPUT TYPE:
  - (8) NEMA 5-20R
  - (1) NEMA 5-30R
- DISCHARGE TIME:
  - 100% LOAD 3.0 min.
  - 75% LOAD 5.2 min.
  - 50% LOAD 10.1 min.
  - 25% LOAD 25.8 min.

**MECHANICAL PARAMETERS:**

- WEIGHT 60.6 lbs.
- COLOR BLACK

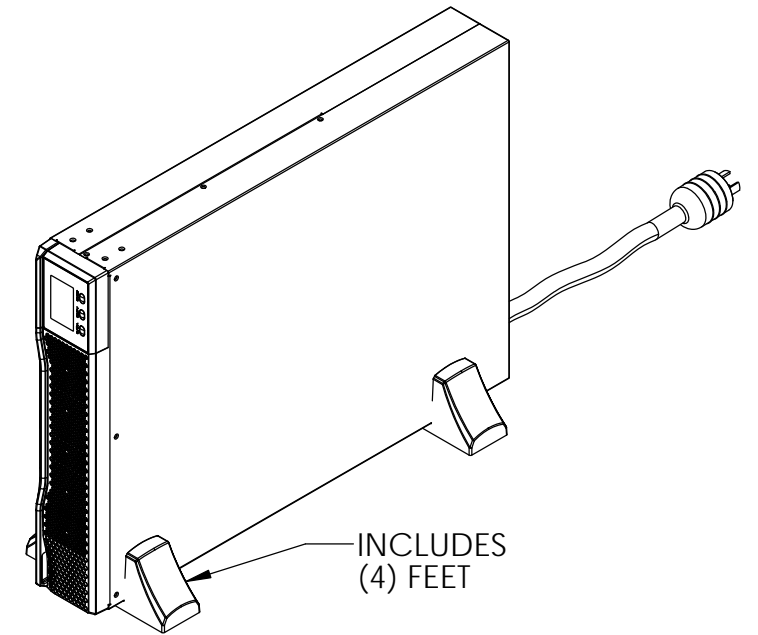


- LU-4PKIT-2U 4POST RAIL KIT, 2U
- (12) M6 RACK SCREWS
  - (6) M6 CAGE NUTS



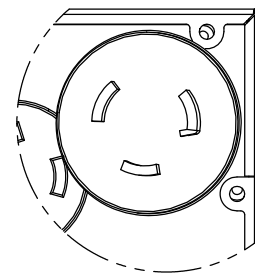
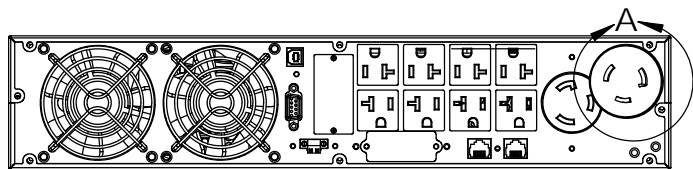
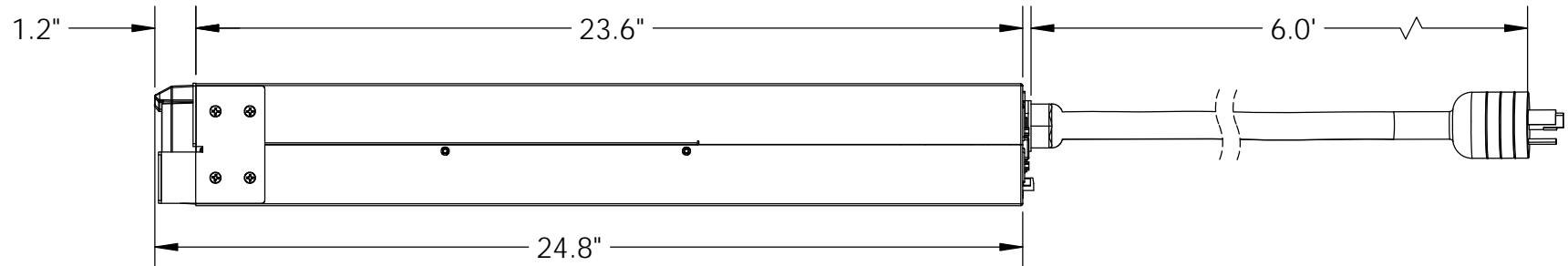
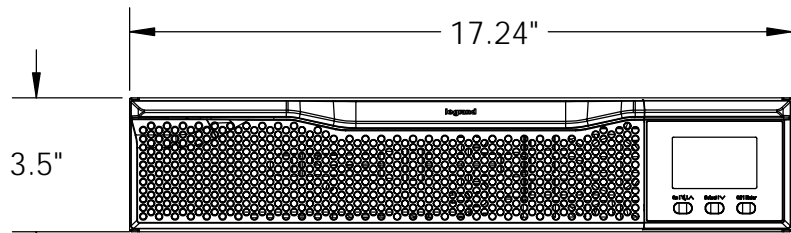
RACK MOUNT CONFIGURATION

INCLUDES L/R MOUNTING BRACKETS W/ SCREWS



TOWER CONFIGURATION

INCLUDES (4) FEET



DETAIL A  
NEMA 5-30P  
SCALE 1 : 2

- ALSO INCLUDED:**
- (1) USB CABLE 5.0'
  - (1) MANUAL

\*\*\* NOTICE \*\*\*  
THIS DOCUMENT CONTAINS CONFIDENTIAL AND/OR PROPRIETARY INFORMATION INTENDED FOR USE ONLY BY THE INDIVIDUAL(S) PROVIDED. NEITHER THIS DOCUMENT, NOR ANY INFORMATION CONTAINED HEREIN, MAY BE COPIED, DISTRIBUTED, DISCLOSED TO ANY THIRD PARTY OR USED IN ANY MANNER OTHER THAN FOR WHICH IT HAS BEEN PROVIDED, WITHOUT THE PRIOR WRITTEN CONSENT OF LEGRAND

**legrand**® WWW.LEGRAND.US

TITLE  
LEGRAND UPS ONLINE 3000VA, 120V, 50-60HZ

	NAME	DATE	SIZE	CAD FILE	DWG NO	REV
DWN	MM	3/6/2019	B	LU3000RTC	LU-3000-RT	00
CHK	RJG	3/7/2019	SCALE 1:5		SHEET	1 OF 1
APPR	CV	3/18/2019				