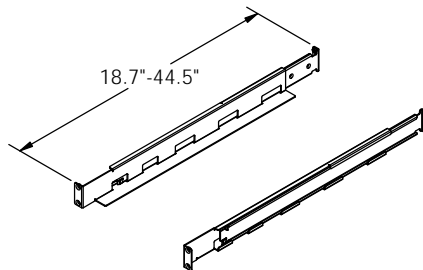


ELECTRICAL PARAMETERS:

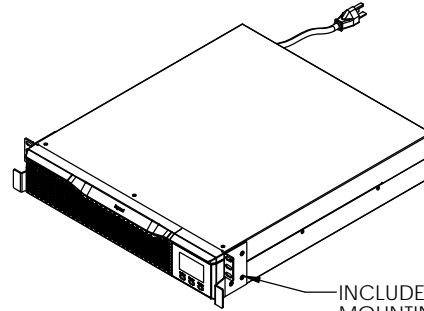
- DOUBLE-CONVERSION ONLINE, SINGLE-PHASE, 120V, 2.0kVA, 2.0kW
- INPUT TYPE: NEMA 5-20P, 6.0' CORD
- OUTPUT TYPE: (8) NEMA 5-20R
- DISCHARGE TIME:
 - 100% LOAD 3.0 min.
 - 75% LOAD 5.0 min.
 - 50% LOAD 9.9 min.
 - 25% LOAD 25.8 min.

MECHANICAL PARAMETERS:

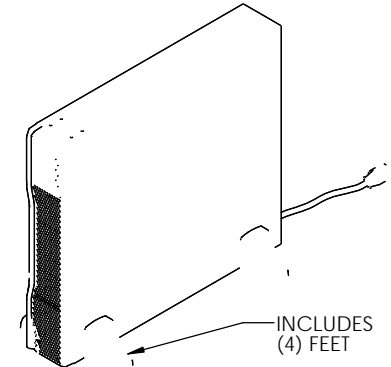
- WEIGHT 43.0 lbs.
- COLOR BLACK



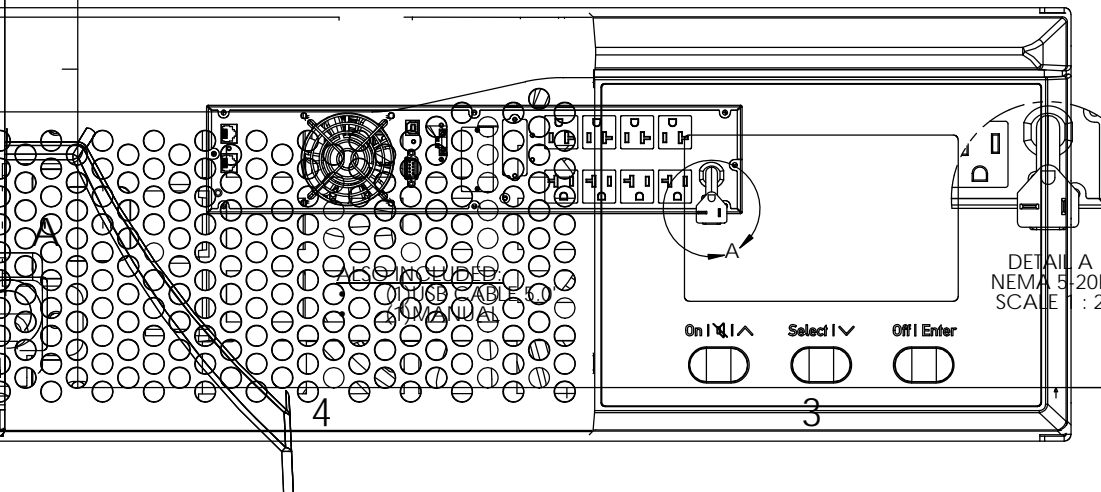
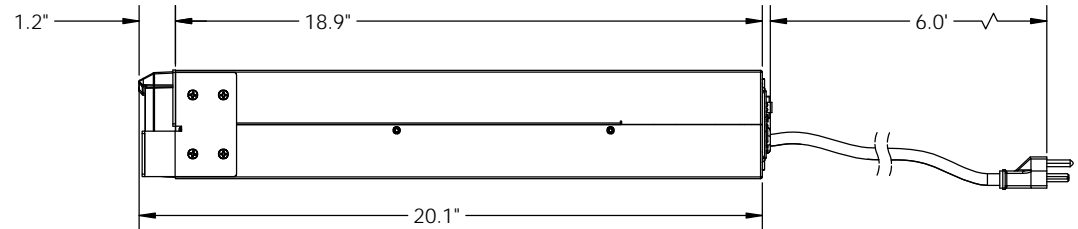
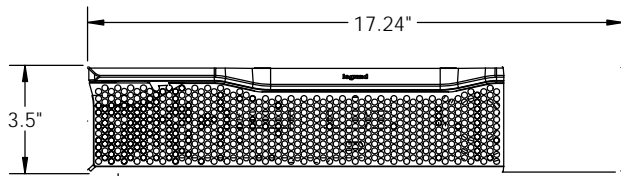
LU-4PKIT-2U 4POST RAIL KIT, 2U
 • (12) M6 RACK SCREWS
 • (6) M6 CAGE NUTS



RACK MOUNT CONFIGURATION



TOWER CONFIGURATION



*** NOTICE ***
 THIS DOCUMENT CONTAINS CONFIDENTIAL AND/OR PROPRIETARY INFORMATION INTENDED FOR USE ONLY BY THE INDIVIDUAL(S) PROVIDED. NEITHER THIS DOCUMENT, NOR ANY INFORMATION CONTAINED HEREIN, MAY BE COPIED, DISTRIBUTED, DISCLOSED TO ANY THIRD PARTY OR USED IN ANY MANNER OTHER THAN FOR WHICH IT HAS BEEN PROVIDED, WITHOUT THE PRIOR WRITTEN CONSENT OF LEGRAND



TITLE
 LEGRAND UPS ONLINE 2000VA, 120V, 50-60HZ

	NAME	DATE	SIZE	CAD FILE	DWG NO	REV
DWN	MM	3/6/2019	B	LU2000RTC	LU-2000-RT	00
CHK	RJG	3/7/2019	SCALE 1:4		SHEET 1 OF 1	
APPR	CV	3/18/2019				