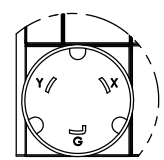
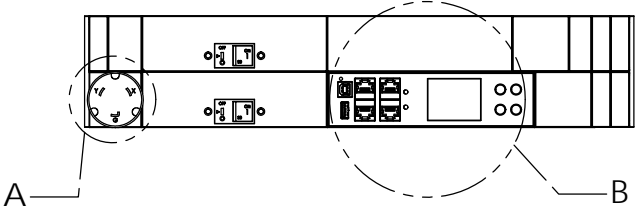
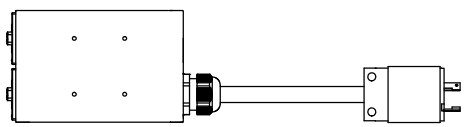
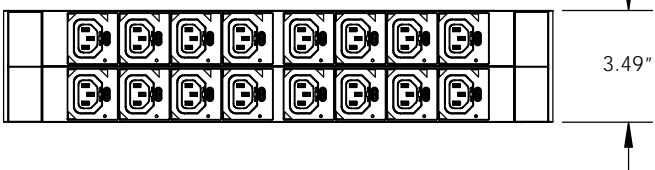
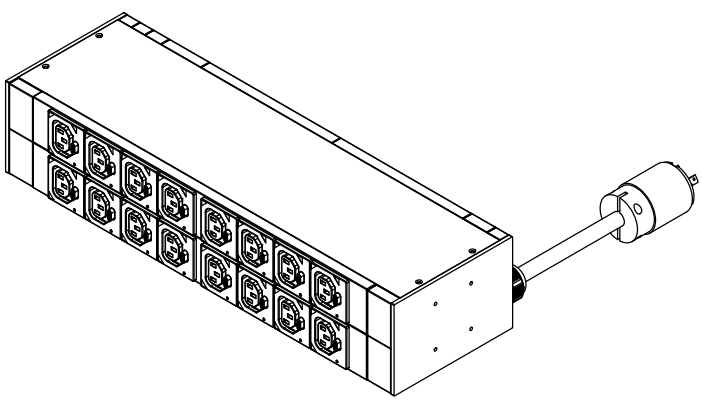
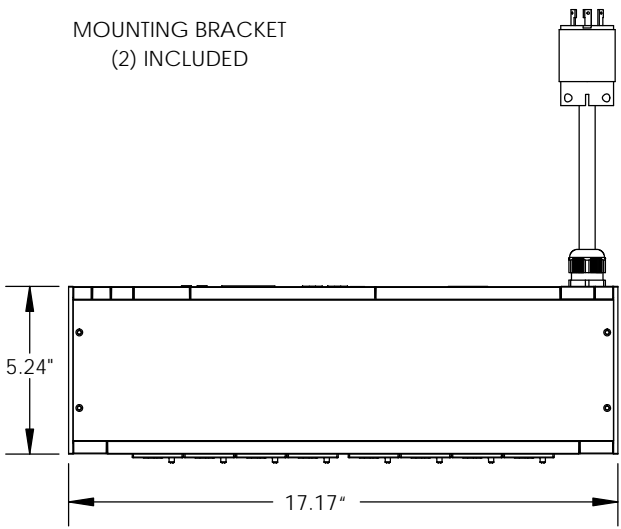
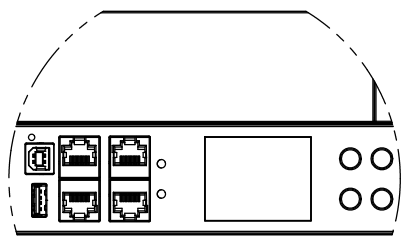


MOUNTING BRACKET
(2) INCLUDED

- ELECTRICAL PARAMETERS:
- SINGLE PHASE, 24A/208V, 5KVA
 - INPUT TYPE: NEMA L6-30P, 10' CORD
 - OUTPUT TYPE: (16) C13, 24A



DETAIL A
NEMA L6-30P



DETAIL B
SCALE 1 : 3

NOTES:

1. INSTALLATION SHALL COMPLY WITH ALL APPLICABLE NATIONAL, STATE, AND LOCAL CODES.
2. PLEASE REFER TO PRODUCT DOCUMENTATION FOR FURTHER INFORMATION.
3. MOUNTING HARDWARE NOT INCLUDED.

<p>*** NOTICE ***</p> <p>THIS DOCUMENT CONTAINS CONFIDENTIAL AND/OR PROPRIETARY INFORMATION INTENDED FOR USE ONLY BY THE INDIVIDUAL(S) PROVIDED. NEITHER THIS DOCUMENT, NOR ANY INFORMATION CONTAINED HEREIN, MAY BE COPIED, DISTRIBUTED, DISCLOSED TO ANY THIRD PARTY OR USED IN ANY MANNER OTHER THAN FOR WHICH IT HAS BEEN PROVIDED, WITHOUT THE PRIOR WRITTEN CONSENT OF LEGRAND. MANUFACTURING RELEASE. PRODUCT SPECIFICATIONS AND STANDARDS ARE SUBJECT TO CHANGE WITHOUT NOTICE.</p>					WWW.LEGRAND.US	
			<p>TITLE</p> <p>RACK PDU, NETWORK SWITCHED, 2U, 24A, 208V, (16) C13, L6-30P CORD</p>			
	NAME	DATE	SIZE	CAD FILE	DWG NO	REV
DWN	CAC	1/22/2019	A	LP62320C	LP62320	00
CHK	MM	1/22/2019	SCALE	1:8	SHEET	1 OF 1
APPR	CV	1/25/2019				