

DATA SHEET



Mini DisplayPort™ Male to VGA Male Active Adapter Cable

Connect the Mini DisplayPort or Thunderbolt™ 2 output of a computer to the VGA input of a computer monitor with a single cable

OVERVIEW

The Mini DisplayPort Male to VGA Male Active Adapter Cable allows you to connect the Mini DisplayPort or Thunderbolt 2 output of a PC or Mac® to a projector or display which accepts a VGA input — making it an ideal solution for the office, work space applications, or home use.

The cable form factor of this adapter provides a simple and convenient solution that eliminates the need for a separate adapter and cable, reducing possible failure points.

This cable is a simple plug and play solution and carries an active video signal, supporting high-definition resolutions up to 1920 x 1200, allowing it to deliver a high quality video image to the connected display.

FEATURES

- VGA resolutions up to 1920 x 1200
- Adapter in cable form factor
- Active Mini DisplayPort to VGA conversion
- Plug and Play — no driver required

ITEM DESCRIPTION

54676	3ft Mini DisplayPort Male to VGA Male Active Adapter Cable - Black
54677	6ft Mini DisplayPort Male to VGA Male Active Adapter Cable - Black
54678	10ft Mini DisplayPort Male to VGA Male Active Adapter Cable - Black
54679	3ft Mini DisplayPort Male to VGA Male Active Adapter Cable - White
54680	6ft Mini DisplayPort Male to VGA Male Active Adapter Cable - White
54681	10ft Mini DisplayPort Male to VGA Male Active Adapter Cable - White

DATA SHEET

SPECIFICATIONS:

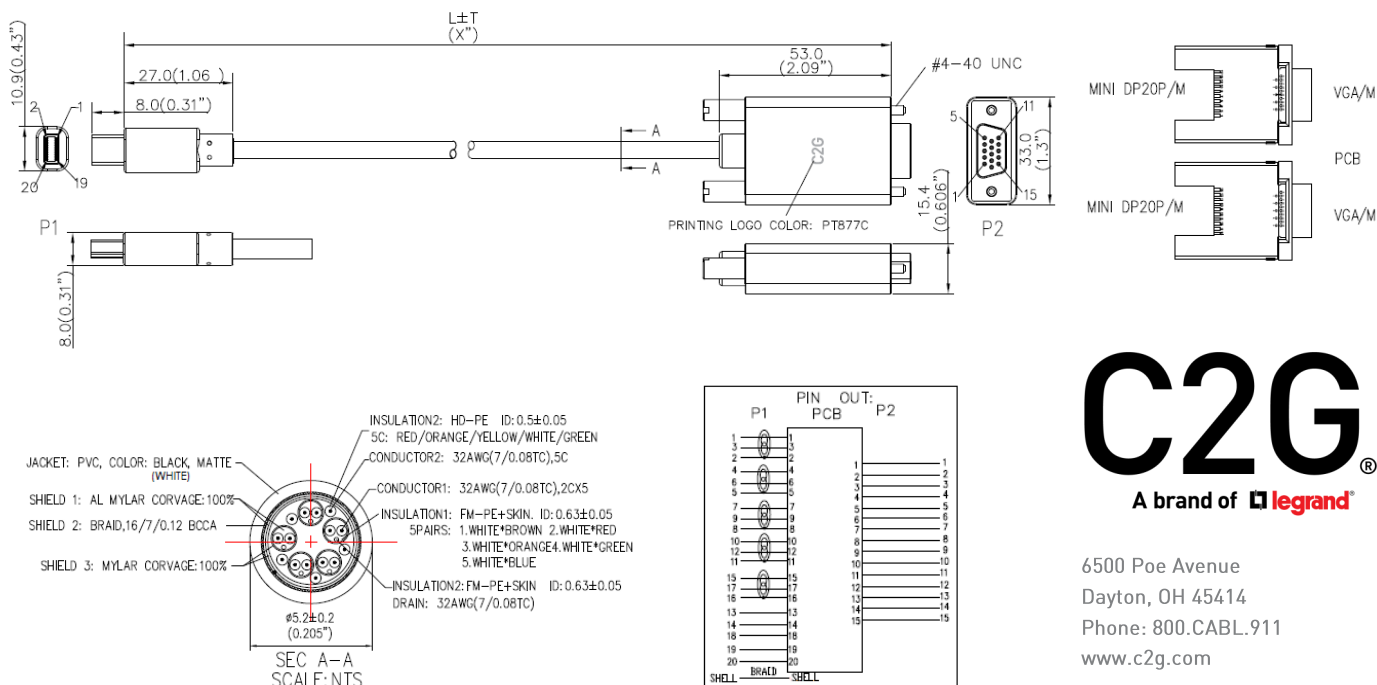
Mini DisplayPort™ Male to VGA Male Active Adapter Cable

ELECTRICAL SPECIFICATIONS:

- Voltage Rating: 30V
- Conductor Resistance: at 20°C Max. 30AWG: 376.96Ω/km
- Insulation Resistance: 10m -km Min. at 20°C DC 500V (EIA-364-21)
- Dielectric Strength: AC 500V/1 Minute No Breakdown (EIA-364-20)
- Impedance: Pairs (Differential Mode) 100±5Ω
- Attenuation (Max.):
5.02dB@100-450MHz; 7.69dB@1GHz;
12.595dB@2GHz; 17.495dB@3GHz;
22.395dB@4GHz; 27.295dB@5GHz;
32.195dB@6GHz; 37.095dB@7GHz
- Return Loss (Min.)
15.00@100-675MHz; 12.90@7GHz;
9.20@2GHz; 7.04@3GHz;
5.5@4GHz; 4.31@5GHz;
3.33@6GHz; 2.51@7GHz
- Next (Max.):
-36dB@0.1-1.35GHz; -23.44dB@2GHz;
-20.80dB@3GHz; -18.93dB@4GHz;
-17.48dB@5GHz; -16.29dB@6GHz; -15.28dB@7GHz
- Fext: -26dB/Cable@100-7000MHz (Max.)

PHYSICAL SPECIFICATIONS:

- Operating Temperature: 0°C to 50°C
- Storage Temperature: -25°C to 70°C
- Connector 1: Mini DisplayPort 20P Male: Solder Type, Gold Flash Contacts, Nickel Plated Shell, Beige Insulation
- Connector 2: HDB 15P Male: IDC Type, Gold Flash Contacts, Nickel Plated Shell, Black Insulation, with PCB
- Chipset: RTD2166
- Shielding: Connector 1: Copper Foil Shielding
- Shielding: Connector 2: Metal Can Shielding
- Cable: UL20276, (32AWG*1P+D+AL/MY)*5+32AWG*5C+ADB, OD: 5.2±0.2mm Black PVC Jacket
- Hood: Connector 1: Molding Black PVC
- Hood: Connector 2: Housing Black PVC
- Approvals: CE marked and conforms to 2011/65/EU ROHS 2



C2G
 A brand of **legrand**

6500 Poe Avenue
 Dayton, OH 45414
 Phone: 800.CABL.911
 www.c2g.com

Follow Us

