

# DATA SHEET



## Wireless Conference Table Box for HDMI<sup>®</sup>, VGA + Audio (TAA Compliant)

Wirelessly connect an HDMI device to a display and extend power to the meeting presenter

### OVERVIEW

The Wireless Conference Table Box for HDMI, VGA + Audio provides a simple way to wirelessly connect an HDMI, VGA and audio source to a display, while also managing and delivering power. This table box features an HDMI, VGA, and Audio to HDMI Converter Switch which offers automatic or manual switching between an HDMI and VGA + Audio source device. The converter switch then connects to the Wireless A/V for HDMI Devices which provides video and audio to the display. The table box has an attractive finish that can match any conference room décor.

#### Effortless huddle space connectivity

Just bring your own device to the huddle space and plug in. This simple, one connection solution allows for quick transition from one user to another – encouraging productivity, inspiration, and teamwork while presenting ideas. Any room can be retrofitted to be a huddle space, as the secure wireless transmission of the A/V signal does not require new cables or existing cable infrastructure.

#### De-cluttered conference room

Set up a conference room without limitations using this wireless system. The display is not limited to the location of the existing wire runs. Place the display anywhere within 100 feet of the transmitter to achieve the optimal setup for any conference room.

Note: The transmitter and receiver do not require line-of-sight to function. However, to achieve the 100ft maximum range, reduce or eliminate the number of obstacles between the transmitter and receiver.

### FEATURES

- Wirelessly transmit HDMI signal up to 100ft
- Select between VGA and audio or HDMI and convert to an HDMI signal
- Supports up to 1080p resolution
- Plug and Play—no driver required
- The activation surface of the InteGreat A/V Table Box can be adjusted down, in 1/2in [12.7mm] increments, from 1in to 4in [25mm to 102mm]
- Hole cut outs are made easy with the included template
- InteGreat A/V Table Boxes come with a cable grommet kit that can accommodate up to eight pull out connections

### ITEM DESCRIPTION

50191 Wireless Conference Table Box for HDMI, VGA + Audio (TAA Compliant)

# DATA SHEET

## SPECIFICATIONS:

### Wireless Conference Table Box for HDMI® (TAA Compliant)

#### PHYSICAL SPECIFICATIONS:

##### [29329] Wireless A/V for HDMI Devices (TAA Compliant)

###### WiFi Specifications

- WiFi Standard: 1T2R (1x2) - (IEEE 802.11n WLAN)
- Frequency Range: 2.4GHz / 5GHz
- Wifi Security Encryption: Crypto engine for HDCP 2.x and DTCP-IP
- Channel Bandwidth: 20MHz / 40MHz (5G only)
- RF Power: Output—10dBm max / Receive level—10dBm min
- Distance: Max—30m
- Normal—10-15ft
- Transmission Delay: Max 0.5 sec Latency
- Antenna Diversity: Single Antenna for WiFi

###### Electrical Specifications

- Media Processor: H.264 compressing
- Video Format: MPEG-2/H.264/VC-1/AVS/MPEG4
- Audio Format: MP1/2/3 / AC3 / AAC LC / HE-AAC
- Supported Resolutions: 480p (60Hz), 576p (50Hz), 720p (50/60Hz), 1080p (50/60Hz)
- Refresh Rate: 60Hz
- Wireless: Wireless Display WiDi

###### Transmitter Physical Specifications

- Connections: HDMI Type A 19 pin Female, Micro USB-B Female
- Dimensions: 83 x 13.6 x 85mm

###### Receiver Physical Specifications

- Connections: HDMI Type A 19 pin Female, Micro USB-B Female
- Dimensions: 83.2 x 15 x 52mm

##### [22322] Dual USB Compact Power Supply

###### Electrical Specifications

- Electrical input: 100-240V AC, 50-60Hz, 0.3A MAX
- USB 1 output 5 Volt DC, 2.1A
- USB 2 output 5 Volt DC, 1A
- Total output 5 Volt DC, 2.1A MAX

###### Physical Specifications

- Operating temperature: -20°C – 40°C; 20-90% RH
- Storage temperature: -20°C – 85°C; 5%-80% RH

##### [40814] HDMI, VGA, and Audio to HDMI Converter Switch (TAA Compliant)

###### Signal Specifications

- Input signals: HDMI, VGA, and stereo audio
- Output signal: HDMI
- HDMI TDMS clock rate: 225MHz (Max)
- Maximum output video resolution: 1080p

###### Power Adapter Specifications

- Power input: 100-240V-50/60Hz
- Power output: 5V, 1.0A
- Pin outer diameter: 5.4mm
- Center pin polarity: Positive
- Cable length: 5 feet

###### Physical Specifications

- Dimensions: 4.06x2.32x0.98 inches (103x59x25mm)
- Housing material: Steel (SECC)
- Operating temperature: 0-40[D]C
- Storage temperature: -10-60[D]C
- Relative humidity: 0-80% (Non-Condensing)

##### [41364] 6ft Ultra Flexible High Speed HDMI Cable with Low Profile Connectors

###### Electrical Specifications

- HDMI features supported: 3D, 4k, High Speed
- Voltage rating: 30V
- Signal bandwidth: 3.4Gbps
- Nominal impedance: 100±10[OHM]
- Nominal capacitance: < 700pF
- Nominal velocity of propagation: 10.2Gbps
- DC resistance: 1450[OHM]/km max at 20°C

###### Physical Specifications

- Operating temperature: -25° – 85°C, 60-93% relative humidity
- Storage temperature: -25° – 85°C, 60-93% relative humidity
- Minimum bend radius: 6.5mm

###### Conductor 1 (5 pair)

- Conductor type: 35AWG (7/0.05) tinned copper
- Insulation: HD-PE
- Drain wire: 34AWG (1/0.16) tinned copper

###### Conductor 2 (4 conductors)

- Conductor type: 36AWG (7/0.05) tinned copper
- Insulation: HD-PE

###### Overall Cable

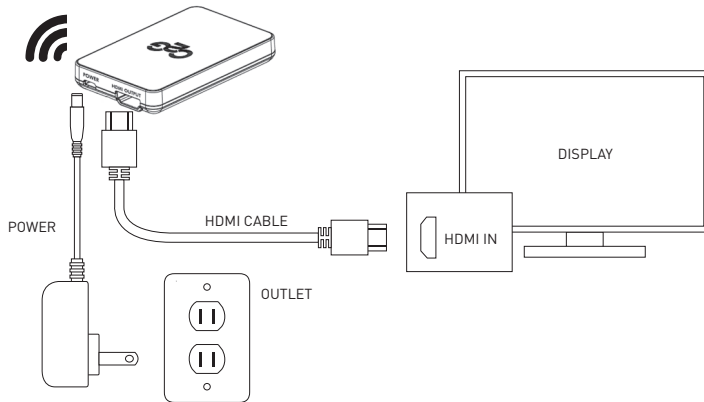
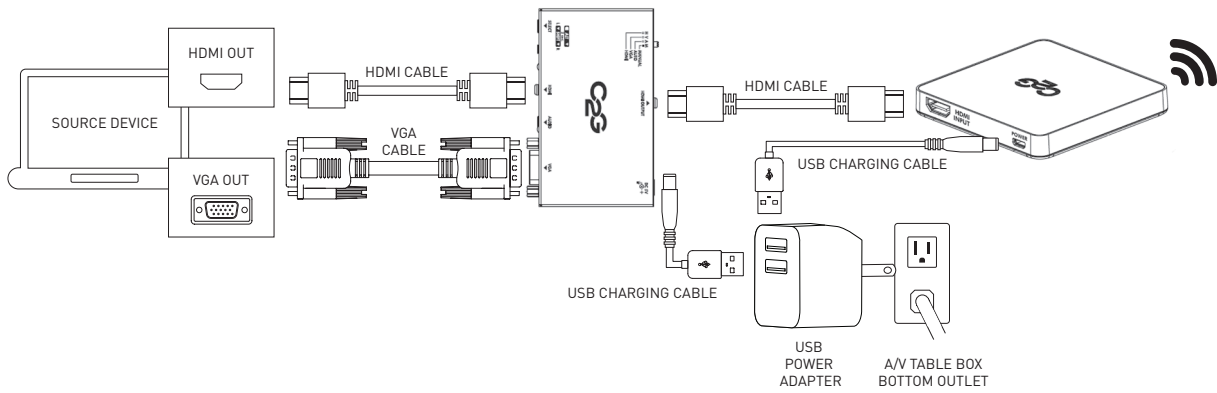
- Foil shield: Aluminum foil, 100% coverage
- Braided shield: 16/5/0.06 tinned copper, 65% coverage
- Jacket: PVC, black
- Outer diameter: 3.6 ± 0.2mm

###### Connectors (2)

- Connector type: 19 pin HDMI
- Plating: Gold
- Housing: PVC

# DATA SHEET

## SPECIFICATIONS: Wireless Conference Table Box for HDMI® (TAA Compliant)



**C2G**  
A brand of **Legrand**

3555 Kettering Blvd.  
Moraine, OH 45439  
Phone: 800.CABL.911  
www.c2g.com

Follow Us

