

DATA SHEET



Wireless A/V for HDMI® Devices with 2 Receiver Kit

A simple way to wirelessly connect an HDMI device to two displays

OVERVIEW

Always start a meeting or class on time with the Wireless A/V for HDMI devices kit. This plug and play system allows A/V signals from a laptop, tablet, or Blu-ray player to wirelessly connect to two HDMI projectors or HDTVs located up to 100 feet away.

There is no need for cables to be run under the floor, through the ceiling, or up a wall. Mount the receivers near the displays and the transmitter near the presenter, then make the connections for HDMI and power on both the transmitter and receivers. This do-it-yourself solution includes all the components required for the setup and does not require an experienced A/V installer. Just plug an HDMI cable into your laptop from the transmitter, and you are ready to present. This kit offers true plug and play operation, allowing any presenter to step up and start a meeting with no lost time. There is no software to install or update, so there is no need to request permissions from IT or wait for drivers to download.

Just bring your own device to the huddle space and plug in. This simple, one connection solution allows for quick transition from one user to another – encouraging productivity, inspiration, and teamwork while presenting ideas. Any room can be retrofitted to be a huddle space, as the secure wireless transmission of A/V signal does not require new cables or existing cable infrastructure.

Set up a conference room without limitations using this wireless system. The displays do not have to be limited to where wire runs have been located. Place displays anywhere within 100 feet of the transmitter to achieve the optimal setup for any conference room.

Setting up A/V equipment in a classroom often requires running cables in wall or plenum space, this type of install requires specially rated cables and professional installation. With the Wireless AV for HDMI solution there is no need to run these costly wires. The straightforward installation takes almost no time to setup and the simplified operation ensures all staff members can use it without training.

Note: The transmitter and receivers do not require line-of-sight to function. However to achieve the 100ft maximum range, reduce or eliminate the number of obstacles between the transmitter and receivers.

FEATURES

- Wirelessly transmit HDMI signal up to 100ft
- Supports up to 1080p resolution
- One transmitter and two receivers
- Plug and Play–no driver required

ITEM DESCRIPTION

29512 Wireless A/V for HDMI® Devices with 2 Receiver Kit

C2G[®]
A brand of **legrand**

DATA SHEET

SPECIFICATIONS:

Wireless A/V for HDMI® Devices with 2 Receiver Kit

SPECIFICATIONS:

WiFi Specifications

- WiFi Standard: 1T2R (1x2) - (IEEE 802.11n WLAN)
- Frequency Range: 2.4GHz / 5GHz
- Wifi[R] Security Encryption: Crypto engine for HDCP 2.x and DTCP-IP
- Channel Bandwidth: 20MHz / 40MHz (5G only)
- RF Power: Output—10dBm max / Receive level—10dBm min
- Distance: Max—30m
- Normal—10-15ft
- Transmission Delay: Max 0.5 sec Latency
- Antenna Diversity: Single Antenna for WiFi

Electrical Specifications

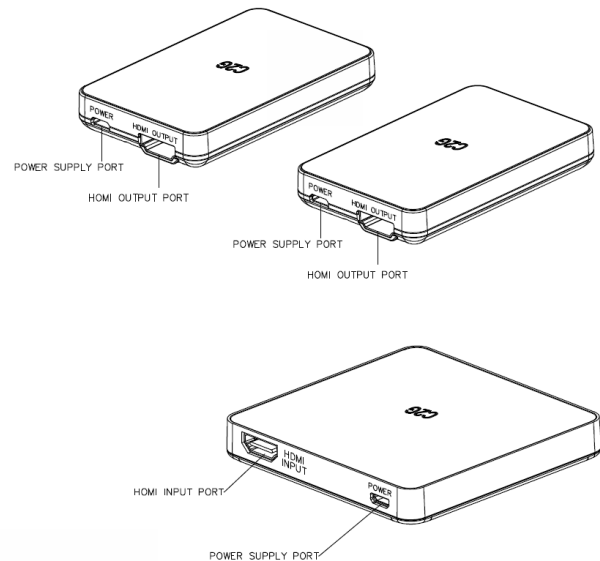
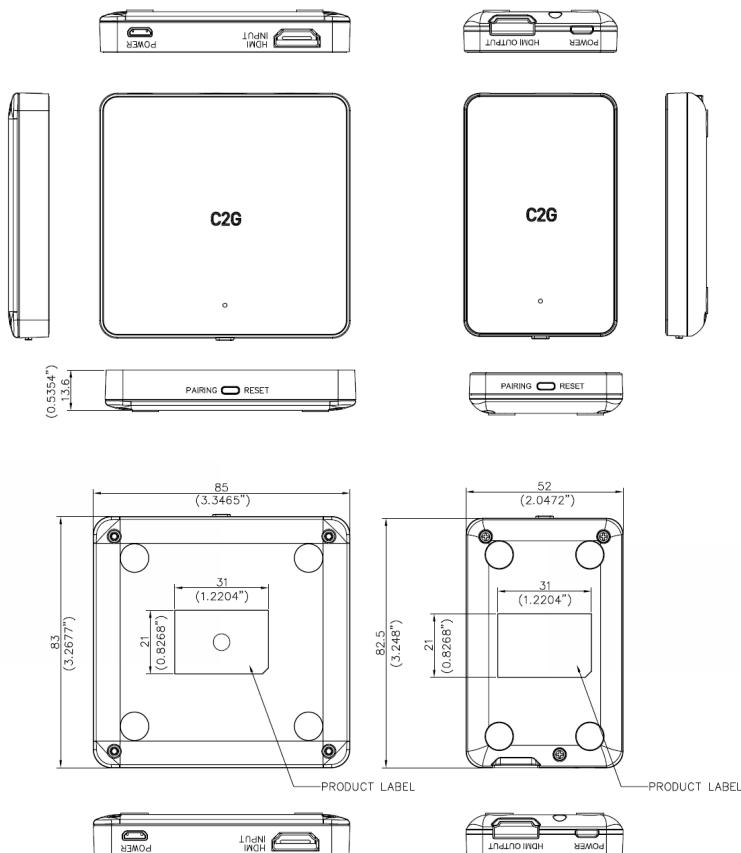
- Media Processor: H.264 compressing
- Video Format: MPEG-2/H.264/VC-1/AVS/MPEG4
- Audio Format: MP1/2/3 / AC3 / AAC LC / HE-AAC
- Supported Resolutions: 480p (60Hz), 576p (50Hz), 720p (50/60Hz), 1080p (50/60Hz)
- Refresh Rate: 60Hz
- Wireless: Wireless Display WiDi

Transmitter Physical Specifications

- Connections: HDMI Type A 19 pin Female, Micro USB-B Female
- Dimensions: 83 x 13.6 x 85mm

Receiver Physical Specifications

- Connections: HDMI Type A 19 pin Female, Micro USB-B Female
- Dimensions: 83.2 x 15 x 52mm



C2G
A brand of **legrand**

6500 Poe Ave.
Dayton, OH 45414
Phone: 800.CABL.911
www.c2g.com

Follow Us

