

# DATA SHEET



## 1-Port USB-C Car Charger, 3A Output

Quickly charge a USB-C smartphone or tablet in your car

### OVERVIEW

---

The 1-Port USB-C Car Charger is an ideal solution for charging mobile devices while on long road trips or short commutes. This high-performance car charger features a compact design for easy portability and provides a power output of 5V and 3A for device charging. The charger includes one USB-C port to charge a single device. The power output and quick charging makes this adapter the perfect solution for charging USB-C smartphones and tablets while plugged into the DC outlet of a car.

### FEATURES

---

- 5V, 3A maximum output
- Small form factor
- One USB Type-C female port
- Compatible with USB-C and Thunderbolt™ 3 cables

### ITEM DESCRIPTION

---

20281      1-Port USB-C Car Charger, 3A Output

# DATA SHEET

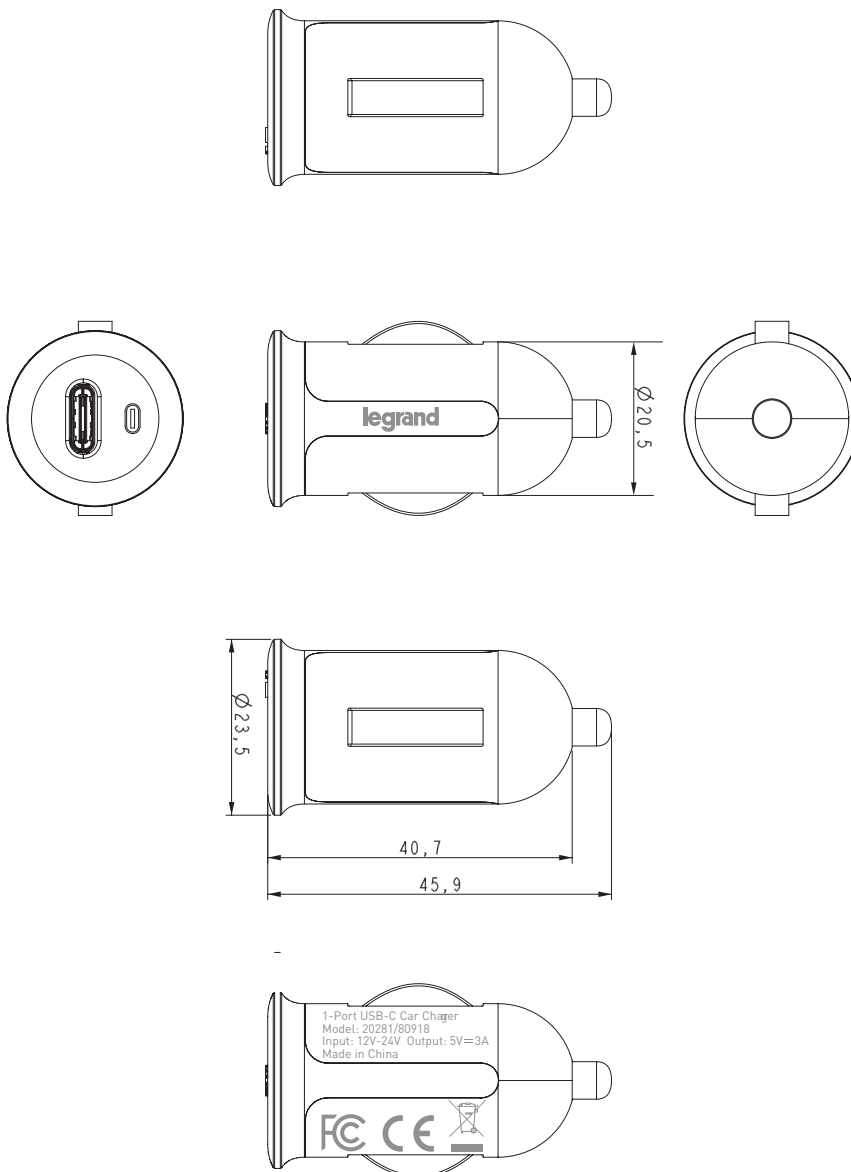
## SPECIFICATIONS: 1-Port USB-C Car Charger, 3A Output

### ELECTRICAL SPECIFICATIONS:

- Input voltage range: 10-32V DC
- Nominal input voltage: 12-24V DC
- Input current with full load:  $\leq 1.6A$  (Input DC12V)
- Efficiency (USB Port):  $\geq 88\%$  (Input DC12V) (USB),  $\geq 85\%$  (Input DC24V) (USB)
- Output Port: Type-C
- Output Voltage:  $5\pm 0.25V$
- Regulated Accuracy:  $\pm 5\%$
- Min. Current: 0
- Rated Current: 3A
- DC Output Over Current Protection: Over Current 3.2A - 3.7A

### PHYSICAL SPECIFICATIONS:

- Operating Temperature: 0 ~ 35°C
- Storage Temperature: -20 ~ 75°C
- Operating Humidity: From 20% to 80% (Non-Condensing)
- Operating Storage: From 10% to 90% (Non-Condensing)
- Operating Altitude: Up to 2000m
- Storage Altitude: Up to 2000m



**C2G**<sup>®</sup>  
A brand of **legrand**

6500 Poe Ave.  
Dayton, OH 45414  
Phone: 800.CABL.911  
www.c2g.com

Follow Us

