



RapidRun® Single Gang Integrated (HD15/3.5mm/3RCA) Wall Plates

- Composite Video with L/R stereo RCA jacks
- 3.5mm stereo audio jack
- HD-15 jack
- Manufactured from High Grade Materials
- Fits standard single gang J-box
- Mounting hardware included
- Lifetime Warranty

Specifications: RapidRun® Single Gang Integrated (HD15/3.5mm/3RCA) Wall Plates

Wall Plate Specification:

Approvals: RoHS Compliant

Warranty: Lifetime

Package Type: White Box

Component – Part No. 42313 (White); 42314 (Black):

Wall Plate

Connection Type:	Modular screw DIN
Material:	Aluminum Metal – Torrefy Lacquer
Hardness:	HRB22 Anodizing
Strain Relief Hood:	Molded Black PVC
Text Marking Substance:	Black Printing Ink
Back Case Material:	ABS Plastic (black)

Cable Lead

Conductor 750hm (Qty. 3)

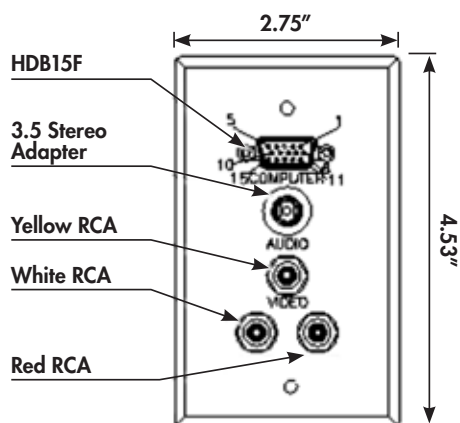
AWG:	28 AWG 7/0.127T
Shield:	Spiral 90%
Material:	Tinned Copper

Insulation

Material:	Low Toxic PVC (1) red, (1) blue, (1) green
OD:	.098"

Conductor (Qty. 8)

AWG:	24 AWG
------	--------



Component – Part No. 42320 (Brushed Aluminum):

Wall Plate

Connection Type:	Modular screw DIN
Material:	Brushed Aluminum
Hardness:	HRB22 Anodizing
Strain Relief Hood:	Molded Black PVC
Text Marking Substance:	Black Printing Ink
Back Case Material:	ABS Plastic (black)

Cable Lead

Conductor 750hm (Qty. 3)

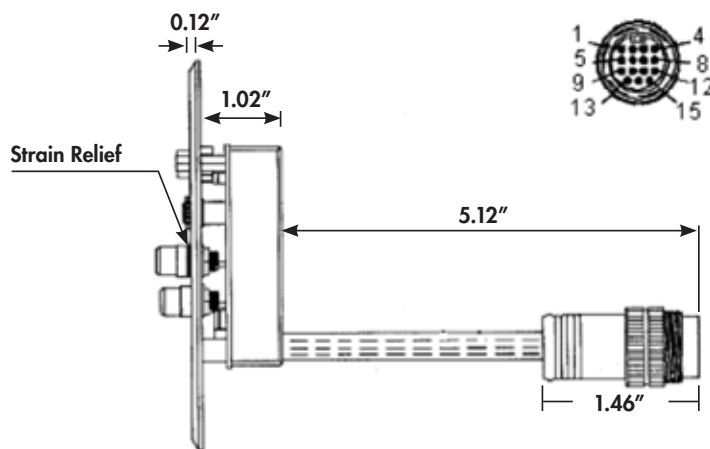
AWG:	28 AWG 7/0.127T
Shield:	Spiral 90%
Material:	Tinned Copper

Insulation

Material:	Low Toxic PVC (1) red, (1) blue, (1) green
OD:	.098"

Conductor (Qty. 8)

AWG:	24 AWG
------	--------



Specifications: RapidRun® Single Gang Integrated (HD15/3.5mm/3RCA) Wall Plates

42313- RapidRun® Single Gang Integrated (HD15/3.5mm/3RCA) Wall Plate-White

HD-15

Connector Gender: Female
Contact Material: Gold Plated
Insulation Color: Black
Shell Material: Nickel Plated w/hex screw

Product Dimensions: 2.75" x 0.12" x 4.53"
Product Weight: 0.39 lbs
Packaging Type: White box
Package Dimensions: 3" x 2.25" x 6.37"

3.5mm Stereo

Connector Gender: Female
Shell Material: Nickel Plated

RCA

Connector Gender: Female (Lock Plank Type)
Shell Material: Nickel Plated
Insulation Color: (1) red, (1) white, (1) yellow

42314- RapidRun® Single Gang Integrated (HD15/3.5mm/3RCA) Wall Plate - Black

HD-15

Connector Gender: Female
Contact Material: Gold Plated
Insulation Color: Black
Shell Material: Nickel Plated w/hex screw

Product Dimensions: 2.75" x 0.12" x 4.53"
Product Weight: 0.39 lbs
Packaging Type: White box
Package Dimensions: 3" x 2.25" x 6.37"

3.5mm Stereo

Connector Gender: Female
Shell Material: Nickel Plated

RCA

Connector Gender: Female (Lock Plank Type)
Shell Material: Nickel Plated
Insulation Color: (1) red, (1) white, (1) yellow

42320- RapidRun® Single Gang Integrated (HD15/3.5mm/3RCA) Wall Plate-Brushed Aluminum

HD-15

Connector Gender: Female
Contact Material: Gold Plated
Insulation Color: Black
Shell Material: Nickel Plated w/hex screw

Product Dimensions: 2.75" x 0.12" x 4.53"
Product Weight: 0.39 lbs
Packaging Type: White box
Package Dimensions: 3" x 2.25" x 6.37"

3.5mm Stereo

Connector Gender: Female
Shell Material: Nickel Plated

RCA

Connector Gender: Female (Lock Plank Type)
Shell Material: Nickel Plated
Insulation Color: (1) red, (1) white, (1) yellow