



RapidRun® Plenum-Rated PC Runner Cable

- CMP-rated for installations in plenum rated spaces
- Connector equipped with a protective pulling cap capable of 30 pounds of pulling tension
- Three 28 AWG coaxial cables with braided copper shielding, three 26 AWG twisted pair, and a single 26 AWG pair
- Supports resolutions up to 1600 x 1200 (UXGA)
- Lifetime Warranty

Specifications: RapidRun® Plenum-Rated PC Runner Cable

Electrical Characteristics:

3 Coax Conductors

Impedance:	75 ± 5 Ohm																				
Capacitance:	53 pF/ft nom																				
DC Resistance:	0.221 Ohms/m at 20°C																				
Dielectric Strength:	750VAC/minute Min.																				
Insulation Resistance (500V):	100 Mohm/KM at 20°C																				
Attenuation (nominal):	<table><thead><tr><th>Frequency</th><th>dB/100 ft</th></tr></thead><tbody><tr><td>1.0 MHz</td><td>0.6</td></tr><tr><td>3.6 MHz</td><td>1.2</td></tr><tr><td>5.0 MHz</td><td>1.4</td></tr><tr><td>7.0 MHz</td><td>1.7</td></tr><tr><td>9.0 MHz</td><td>2.0</td></tr><tr><td>10.0 MHz</td><td>2.1</td></tr><tr><td>30.0 MHz</td><td>3.8</td></tr><tr><td>50.0 MHz</td><td>5.1</td></tr><tr><td>100.0 MHz</td><td>7.6</td></tr></tbody></table>	Frequency	dB/100 ft	1.0 MHz	0.6	3.6 MHz	1.2	5.0 MHz	1.4	7.0 MHz	1.7	9.0 MHz	2.0	10.0 MHz	2.1	30.0 MHz	3.8	50.0 MHz	5.1	100.0 MHz	7.6
Frequency	dB/100 ft																				
1.0 MHz	0.6																				
3.6 MHz	1.2																				
5.0 MHz	1.4																				
7.0 MHz	1.7																				
9.0 MHz	2.0																				
10.0 MHz	2.1																				
30.0 MHz	3.8																				
50.0 MHz	5.1																				
100.0 MHz	7.6																				

3 Twisted Pairs + 2 Conductors

DC Resistance:	0.139 Ohms/m at 20°C
Dielectric Strength:	750VAC/minute min.
Insulation Resistance:	100 Mohm/KM at 20°C

Physical Characteristics:

Voltage Rating:	300V
Temperature Rating:	75°C

Approvals: RoHS Compliant

Warranty: Lifetime

Package Type: Polybag

Item	Description	Weight (Lbs)
40750	15ft RapidRun Plenum-Rated PC Runner Cable	1.14
50729	25ft RapidRun Plenum-Rated PC Runner Cable	1.75
50730	35ft RapidRun Plenum-Rated PC Runner Cable	2.2
40752	50ft RapidRun Plenum-Rated PC Runner Cable	3.33
40753	75ft RapidRun Plenum-Rated PC Runner Cable	4.87
40754	100ft RapidRun Plenum-Rated PC Runner Cable	6.27
40755	125ft RapidRun Plenum-Rated PC Runner Cable	7.92
40756	150ft RapidRun Plenum-Rated PC Runner Cable	9.46

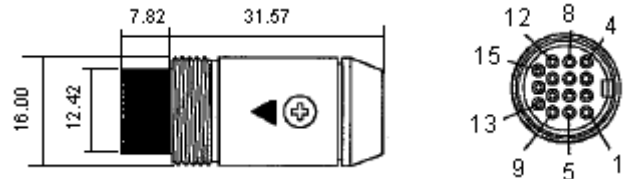
Cable Specifications: RapidRun® Plenum-Rated PC Runner Cable

Conductor (Qty. 3):

Conductor Type:	28 AWG 7/36 Tinned Copper O.D.: .015"
Insulation:	Minimum Avg. Thickness: 0.23" Cellular FEP O.D.: .061"
Shield:	Braided Tinned Copper 5 Ends 38 AWG 94% Min. Coverage
Jacket:	Minimum Avg. Thickness: .008" Low Smoke PVC: (1) red, (1) blue, (1) green O.D.: .094"

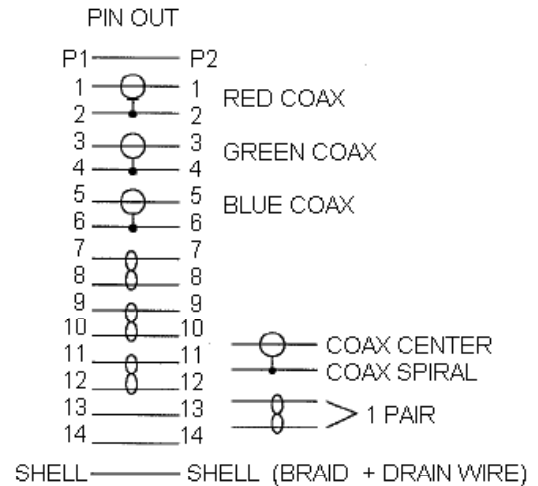
Connector (Qty. 2):

Connector Type:	DIN 15 pin
Gender:	Female
Contact Material:	Gold Flash
Insulation:	Black PBT



Conductor (Qty. 3 pair + 2 conductors):

Conductor Type:	26 AWG 7/34 Tinned Copper O.D.: .019"
Insulation:	Minimum Avg. Thickness: .005" Low Smoke PVC (1) blue + violet (1) red + orange, (1) yellow + green, (1) black, (1) brown O.D.: .029"



Overall Cable:

Aluminum Mylar Shield:	Coverage: 100% Overlap: 25% Min.
Drain Wire:	24 AWG 7/32T Tinned Copper O.D.: .22"
Copper Shield:	Braided Tinned Shield 7 Ends 36 AWG 85% Min
Jacket:	Minimum Avg. Thickness: .18" Low Smoke PVC CL2-813 Black Low Toxic O.D.: .269" Yellow heat shrink tube attached

