



Plenum A/V M/M Cable

- CMP-rated cable jacket that meets commercial in-wall codes
- Low Profile RCA connectors (1-1/2" total depth) for easier in-wall installation
- Small-diameter cable (1/4" diameter) reduces space and clearance required for other cables in-wall and in plenum air spaces
- Three 26AWG coax cables
- Dual shielded (foil shield and 92% braid)
- Lifetime warranty

Specifications: Plenum A/V M/M Cable

Electrical Characteristics:

3 Coax Conductors

Impedance:	75 +/- 3 Ohm	
Capacitance:	16.7 pF/ft nom	
Time Delay:	1.22 ns/ft	
Velocity of Propagation:	81%	
Conductor DC Resistance:	41 Ohms/kft @20C	
Attenuation (nominal):	<u>Frequency</u>	<u>dB/100 ft</u>
	100 MHz	5.37
	400 MHz	11.50
	1 GHz	19.50

Physical Characteristics:

Temperature Rating: 75C

Approvals: RoHS Compliant

Warranty: Lifetime

Package Type: Polybag

Item	Description
40523	15ft Plenum Audio/Video M/M Cable
40524	25ft Plenum Audio/Video M/M Cable
40525	35ft Plenum Audio/Video M/M Cable
40526	50ft Plenum Audio/Video M/M Cable
40527	75ft Plenum Audio/Video M/M Cable

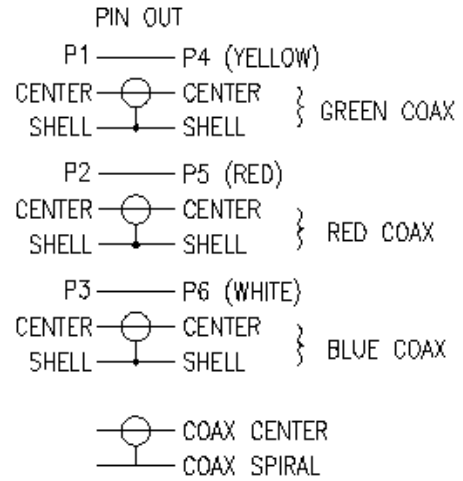
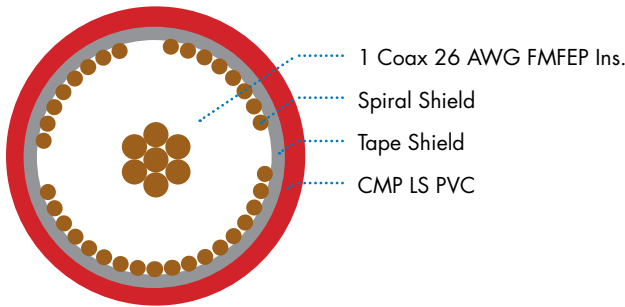
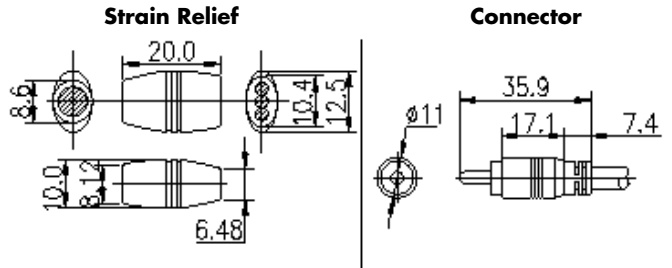
Cable Specifications: Plenum A/V M/M Cable

Conductor (Qty. 3):

Conductor Type:	26 AWG 7/34 tinned copper .019" nom OD
Insulation:	Cellular FEP .074" nom. OD .0275" avg. wall
Shield:	Spiral 38AWG Tinned Copper 92% min. coverage Aluminum/Polyester tape over Spiral Shield; 25% min. overlap
Jacket:	CMP-rated Low Smoke PVC (color code: (1) red, (1) blue, (1) green) .102" nom OD .007" avg. wall

Connector (Qty. 6):

Connector Type:	Solder
Shell/Pin Material:	Nickel Plated
Insulation:	White PBT
Hood Attachment:	Molded w/Strain Relief
Hood Material:	Low Smoke PVC (color code: (2) yellow, (2) red, (2) white)



Overall Cable:

Jacket:	CMP-rated Low Smoke PVC (black) .249" nom. OD .015" avg. wall (color code: black)
---------	--

