



Plenum HD15 M/M SXGA Cable

- CMP-rated cable jacket that meets commercial in-wall codes
- Low Profile HD 15 connectors (1-1/4" total depth) for easier in-wall installation
- Small-diameter cable (1/4" diameter) reduces space and clearance required for other cables in-wall and in plenum air spaces
- Three 30AWG coax cables with two 26 AWG pair
- Dual shielded
- Lifetime warranty

Specifications: Plenum HD15 M/M SXGA Cable

Electrical Characteristics:

3 Coax Conductors

Impedance:	75 +/- 5 Ohm																				
Capacitance:	54 pF/m nom																				
DC Resistance:	0.347 Ohms/m @20C																				
Dielectric Strength:	750VAC/minute min.																				
Insulation Resistance (500V):	100 Mohm/KM @20C																				
Attenuation (nominal):	<table><thead><tr><th>Frequency</th><th>dB/100 ft</th></tr></thead><tbody><tr><td>1.0 MHz</td><td>0.9</td></tr><tr><td>3.6 MHz</td><td>1.7</td></tr><tr><td>5.0 MHz</td><td>1.9</td></tr><tr><td>7.0 MHz</td><td>2.4</td></tr><tr><td>9.0 MHz</td><td>2.6</td></tr><tr><td>10.0 MHz</td><td>2.8</td></tr><tr><td>30.0 MHz</td><td>4.4</td></tr><tr><td>50.0 MHz</td><td>5.8</td></tr><tr><td>100.0 MHz</td><td>8.2</td></tr></tbody></table>	Frequency	dB/100 ft	1.0 MHz	0.9	3.6 MHz	1.7	5.0 MHz	1.9	7.0 MHz	2.4	9.0 MHz	2.6	10.0 MHz	2.8	30.0 MHz	4.4	50.0 MHz	5.8	100.0 MHz	8.2
Frequency	dB/100 ft																				
1.0 MHz	0.9																				
3.6 MHz	1.7																				
5.0 MHz	1.9																				
7.0 MHz	2.4																				
9.0 MHz	2.6																				
10.0 MHz	2.8																				
30.0 MHz	4.4																				
50.0 MHz	5.8																				
100.0 MHz	8.2																				

2 Twisted Pairs

DC Resistance:	0.139 Ohms/m @20C
Dielectric Strength:	750VAC/minute min
Insulation Resistance:	100 Mohm/KM @ 20C

Physical Characteristics:

Voltage Rating:	300V
Temperature Rating:	75C

Approvals: RoHS Compliant

Warranty: Lifetime

Package Type: Polybag

Item	Description
40510	15ft Plenum HD15 M/M SXGA Cable
40511	25ft Plenum HD15 M/M SXGA Cable
40512	35ft Plenum HD15 M/M SXGA Cable
40513	50ft Plenum HD15 M/M SXGA Cable
40514	75ft Plenum HD15 M/M SXGA Cable

Cable Specifications: Plenum HD15 M/M SXGA Cable

Conductor (Qty. 3):

Conductor Type: 30AWG 7/38 Tinned Copper
.012" nom. OD

Insulation: Cellular FEP
.049" nom. OD
.0185" avg. wall

Shield: Braid
4 ends 38AWG Tinned Copper
92% min. coverage

Jacket: CMP-rated Low Smoke PVC
(color code: (1) red, (1) blue, (1) green)
.083" nom OD
.008" avg. wall

Conductor (1 pair):

Conductor Type: 26AWG 7/34 Tinned Copper
.019" nom. OD

Insulation: Low Smoke PVC
.029" nom. OD
.005" avg. wall

Pairing Type: Pair 1 (blue + violet)
Twisted

Conductor (1 pair):

Conductor Type: 26AWG 7/34 Tinned Copper
.019" nom. OD

Insulation: Low Smoke PVC
.029" nom. OD
.005" avg. wall

Pairing Type: Pair (red + orange)
Twisted w/Drain Wire
(26 AWG 7/34TC)

Connector (Qty. 2):

Connector Type: HD15 Solder type

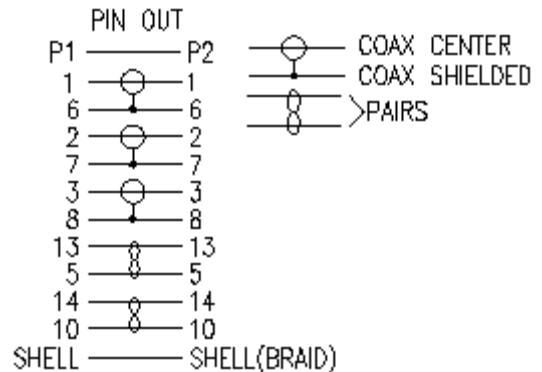
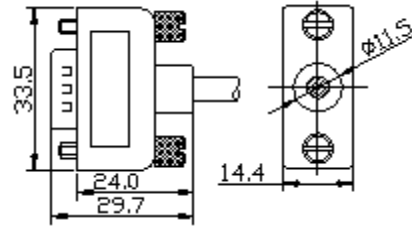
Gender: Male to Male

Contact Material: Gold Flash

Insulation: Black PBT

Shield: Copper-foil tape cover pre-mold
w/360 degree solder to connector shell and cable braid

Hood Material: Molded Low Smoke PVC
(color: black)



Overall Cable:

Shield 1: Aluminum/Polyester Tape
25% min overlap coverage

Shield 2: Braid Shield
9 ends 36 AWG Tinned Copper
85% min. coverage

Jacket: CMP-rated Low Smoke PVC (black)
.248" nom. OD
.018" avg. wall

