



## **Aluminum HD15, 3.5mm, A/V, S-Video Wall Plate**

- Composite Video with L/R stereo RCA jacks
- 3.5mm stereo audio jack
- S-Video jack
- HD15 jack
- Manufactured from High Grade Aluminum
- Fits standard electrical boxes
- Mounting hardware included

# Specifications: Aluminum HD-15, 3.5mm, A/V, S-Video Wall Plate

## Wall Plate Specification:

### Component

Connection Type:	Pass-through
Material:	Brushed Aluminum 5052
Hardness:	HRB22 Anodizing
Logo Marking Substance:	Black Printing Ink
Connector Isolation:	Isolation Grommet
Hood:	Molded PVC (color: black)

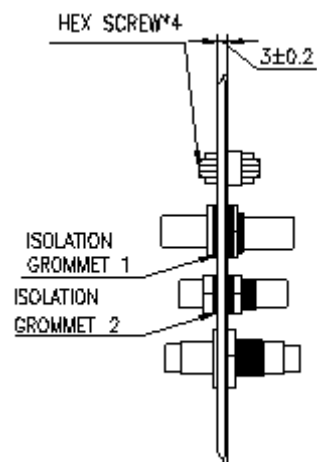
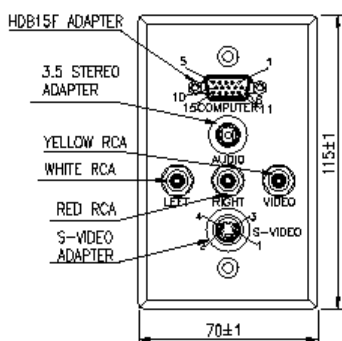
**Approvals:** RoHS Compliant

**Warranty:** Lifetime

**Package Type:** White Box

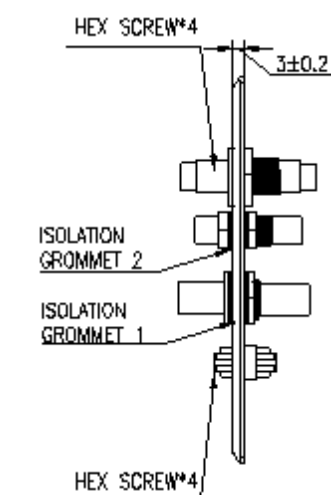
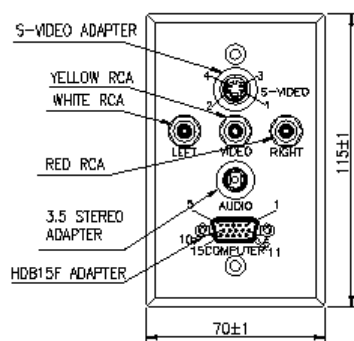
### 40499

Single Gang Wall Plate  
HD15, 3.5mm, Composite Video,  
Stereo Audio,  
S-Video (Aluminum)



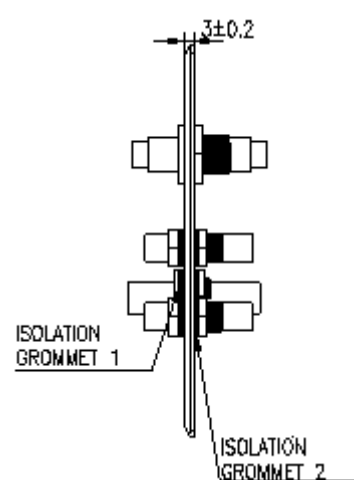
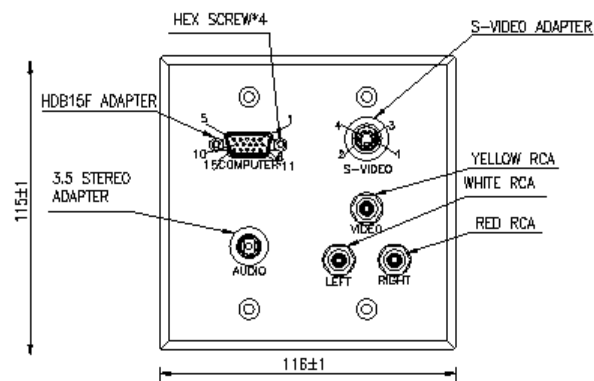
### 40500

Single Gang Wall Plate  
HD15, 3.5mm, Composite Video,  
Stereo Audio,  
S-Video (Aluminum)



### 40507

Double Gang Wall Plate  
HD15, 3.5mm, Composite Video,  
Stereo Audio



# Specifications: Aluminum HD-15, 3.5mm, A/V, S-Video Wall Plate

## 40499- Single Gang Wall Plate-HD15, 3.5mm, Composite Video, Stereo Audio, S-Video (Aluminum)

### HD-15

Connector Gender: Female to Female  
Contact Material: Gold Flash  
Insulation (color: black)  
Shell Material: Nickel Plated w/hex screw

### 3.5mm Stereo

Connector Gender: Female to Female  
Shell Material: Nickel Plated

### RCA

Connector Gender: Female to Female (Lock Plank Type)  
Shell Material: Nickel Plated  
Insulation Color: (1) red, (1) white, (1) yellow

### S-Video

Connector Gender: Mini Din 4Pin Female to Female  
Contact Material: Gold Plated over Nickel

Product Dimensions: 2.75"x0.12"x4.53"  
Product Weight: 0.5 lbs  
Packaging Type: White box  
Package Dimensions: 3"x1.63"x4.75"

## 40500- Single Gang Wall Plate-HD15, 3.5mm, Composite Video, Stereo Audio, S-Video (Aluminum)

### HD-15

Connector Gender: Female to Female  
Contact Material: Gold Flash  
Insulation (color: black)  
Shell Material: Nickel Plated w/hex screw

### 3.5mm Stereo

Connector Gender: Female to Female  
Shell Material: Nickel Plated

### RCA

Connector Gender: Female to Female (Lock Plank Type)  
Shell Material: Nickel Plated  
Insulation Color: (1) red, (1) white, (1) yellow

### S-Video

Connector Gender: Mini Din 4Pin Female to Female  
Contact Material: Gold Plated over Nickel

Product Dimensions: 2.75"x0.12"x4.53"  
Product Weight: 0.5 lbs  
Packaging Type: White box  
Package Dimensions: 3"x1.63"x4.75"

## 40507- Double Gang Wall Plate-HD15, 3.5mm, Composite Video, Stereo Audio, S-Video (Aluminum)

### HD-15

Connector Gender: Female to Female  
Contact Material: Gold Flash  
Insulation (color: black)  
Shell Material: Nickel Plated w/hex screw

### 3.5mm Stereo

Connector Gender: Female to Female  
Shell Material: Nickel Plated

### RCA

Connector Gender: Female to Female (Lock Plank Type)  
Shell Material: Nickel Plated  
Insulation Color: (1) red, (1) white, (1) yellow

### S-Video

Connector Gender: Mini Din 4Pin Female to Female  
Contact Material: Gold Plated over Nickel

Product Dimensions: 4.57"x0.12"x4.53"  
Product Weight: 0.5 lbs  
Packaging Type: White box  
Package Dimensions: 4.75"x1.63"x4.75"