



Aluminum HD15, 3.5mm, A/V Wall Plate

- Composite Video with L/R Stereo RCA Jacks
- 3.5mm Stereo Audio Jack
- HD15 Jack
- Manufactured from High Grade Aluminum
- Fits Standard Electrical Boxes
- Mounting Hardware Included
- Lifetime Warranty

Specifications: Aluminum HD15, 3.5mm, A/V Wall Plate

Wall Plate Specification:

Component

Connection Type:	Pass-through
Material:	Brushed Aluminum 5052
Hardness:	HRB22 Anodizing
Logo Marking Substance:	Black Printing Ink
Connector Isolation:	Isolation Grommet
Hood:	Molded PVC (color: black)

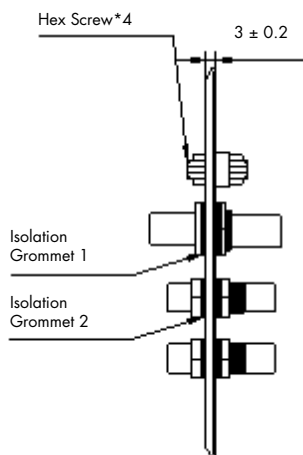
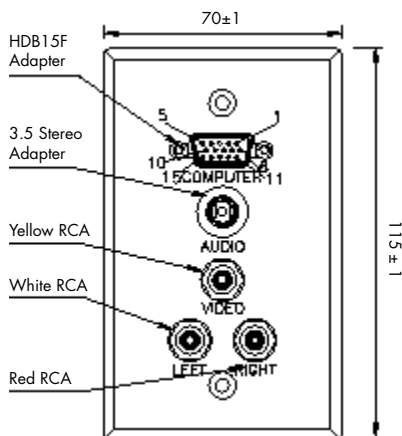
Approvals: RoHS Compliant

Warranty: Lifetime

Package Type: White Box

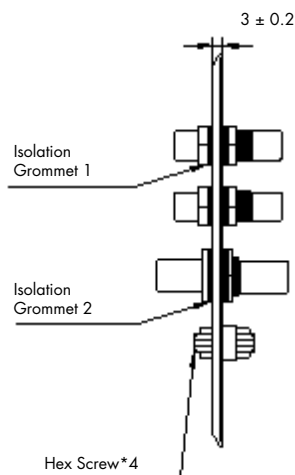
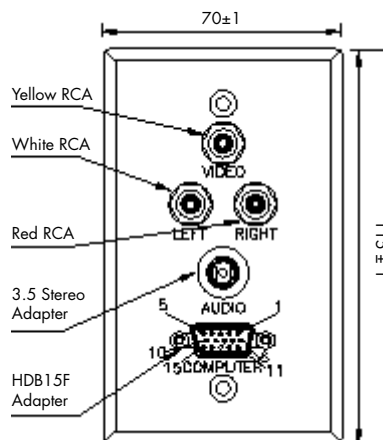
40490

Single Gang Wall Plate
HD15, 3.5mm, Composite Video,
Stereo Audio (Aluminum)



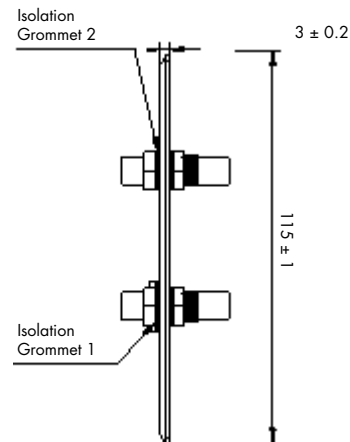
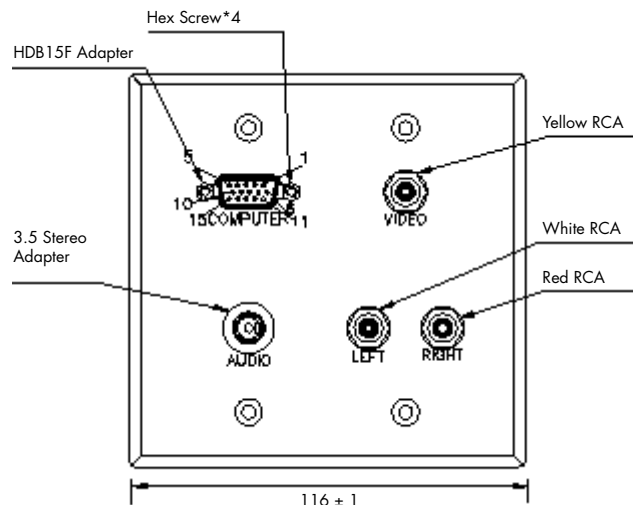
40498

Single Gang Wall Plate
HD15, 3.5mm, Composite Video,
Stereo Audio (Aluminum)



40506

Double Gang Wall Plate
HD15, 3.5mm, Composite Video,
Stereo Audio (Aluminum)



Specifications: Aluminum HD15, 3.5mm, A/V Wall Plate

40490- Single Gang Wall Plate HD15, 3.5mm, Composite Video, Stereo Audio (Aluminum)

HD15

Connector Gender: Female to Female
Contact Material: Gold Flash
Insulation (color: black)
Shell Material: Nickel Plated w/hex screw

Product Dimensions: 2.75"x0.12"x4.53"
Product Weight: 0.5 lbs
Packaging Type: White box
Package Dimensions: 3"x1.63"x4.75"

3.5mm Stereo

Connector Gender: Female to Female
Shell Material: Nickel Plated

RCA

Connector Gender: Female to Female (Lock Plank Type)
Shell Material: Nickel Plated
Insulation Color: (1) red, (1) white, (1) yellow

40498- Single Gang Wall Plate HD15, 3.5mm, Composite Video, Stereo Audio (Aluminum)

HD15

Connector Gender: Female to Female
Contact Material: Gold Flash
Insulation (color: black)
Shell Material: Nickel Plated w/hex screw

Product Dimensions: 2.75"x0.12"x4.53"
Product Weight: 0.5 lbs
Packaging Type: White box
Package Dimensions: 3"x1.63"x4.75"

3.5mm Stereo

Connector Gender: Female to Female
Shell Material: Nickel Plated

RCA

Connector Gender: Female to Female (Lock Plank Type)
Shell Material: Nickel Plated
Insulation Color: (1) red, (1) white, (1) yellow

40506- Double Gang Wall Plate HD15, 3.5mm, Composite Video, Stereo Audio (Aluminum)

HD15

Connector Gender: Female to Female
Contact Material: Gold Flash
Insulation (color: black)
Shell Material: Nickel Plated w/hex screw

Product Dimensions: 4.57"x0.12"x4.53"
Product Weight: 0.5 lbs
Packaging Type: White box
Package Dimensions: 4.75"x1.63"x4.75"

3.5mm Stereo

Connector Gender: Female to Female
Shell Material: Nickel Plated

RCA

Connector Gender: Female to Female (Lock Plank Type)
Shell Material: Nickel Plated
Insulation Color: (1) red, (1) white, (1) yellow