



TruLink™ Wireless USB Host Adapter

- Wirelessly transmit signal to a compatible Wireless USB device adapter
- Ultra Wide Band operates in the frequency of 3.1GHz to 4.8GHz (WiMedia Band Group 1)
- Certified Wireless USB 1.0 compliant
- WiMedia 1.0 MAC & 1.1 PHY compliant

Specifications: TruLink™ Wireless Host Adapter

Device Specification:

Component

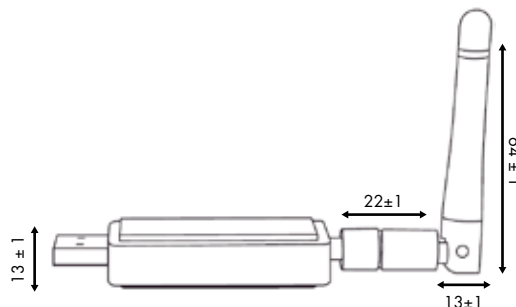
Enclosure Material:	Plastic (Finish: High gloss)
Logo Marking:	Black/White Printing Ink, TruLink logo engraved

Approvals: RoHS, FCC, Certified Wireless USB 1.0

Warranty: 3 Years

Package Type: Blister

29578 - Wireless USB Host Adapter



Chip Release

Wireless Chip:	Realtek - RTU7300 (MAC) + RTU7010 (PHY)
----------------	--

Operating Information

Operating System Support:	Microsoft XP® 32-bit (Service Pack 3); Microsoft Vista® 32/64-bit
USB Specification:	Certified Wireless USB 1.1; USB 2.0
PHY Data Rate:	53.3Mbps, 80Mbps, 106.6Mbps, 160Mbps, 200Mbps, 320Mbps, 400Mbps, 480Mbps
Operating Range:	Up to 30 feet (10 meters)
Frequency:	3.1GHz to 4.8GHz (WiMedia Band Group 1)
Number of Channels:	7 channels (3 FFI + 4 TFI)
RF Modulation Type:	QPSK (Quadrature Phase Shift Key- ing) /DCM (Digital Clock Manager)
Interface:	USB A male
Antenna Type:	RP-SMA jack; Omni directional
Power Consumption:	1.2W

Dimensions

Product Dimensions:	2.0 x 0.91 x 0.5 (in.) / 51 x 23 x 13 (mm)
Product Weight:	0.05 lbs.
Packaging Dimensions:	6.25 x 2.25 x 9.25 (in.) / 159 x 57 x 235 (mm) –Blister Package
Package Weight:	0.45 lbs.

Environment Information

Environmental Qualification Test (EQT):	
Humidity Range:	Non-condensing 10 ~ 95%
Storage Temperature:	-20 ~ 70°C / -4 ~ 158°F
Operating Temperature:	0 ~ 50°C / 32 ~ 122°F