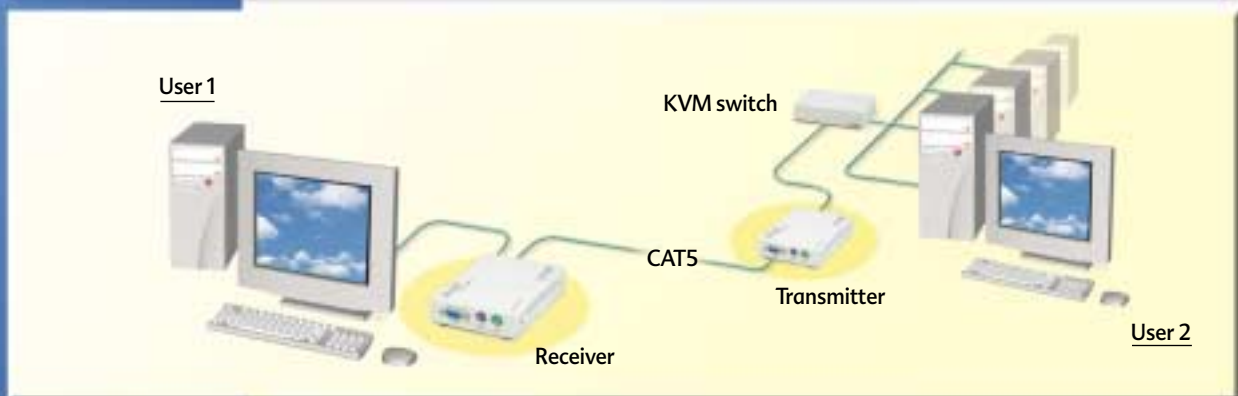
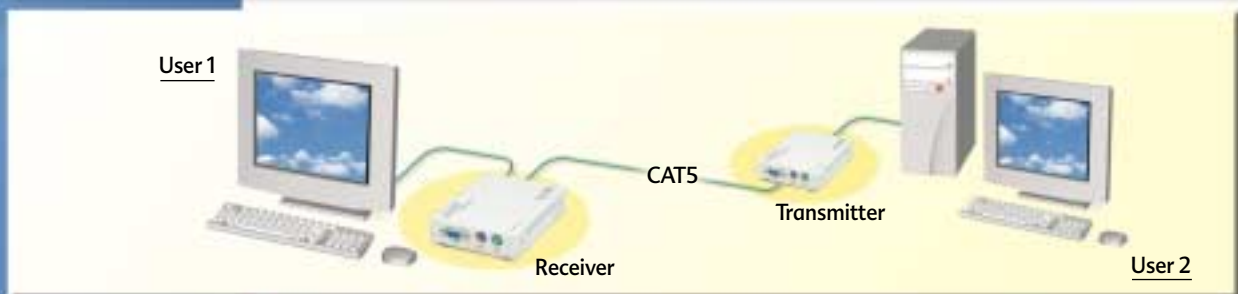
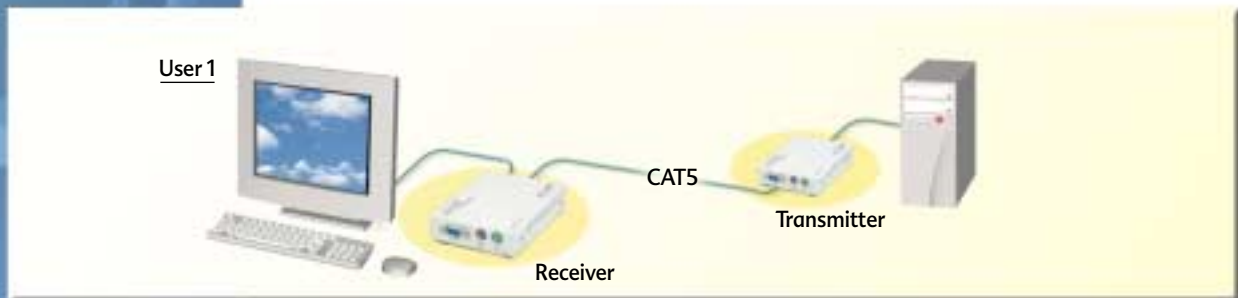


CAT5 SMART KVM EXTENDER

CONTROL YOUR COMPUTER UP TO 110M/360FT AWAY



- Extends KVM control over 110m/360ft from your computer or KVM switch
- Dual-user function - double the power of your computer by allowing 2-user access
- 2 port KVM switch function
- Advanced CAT5 technology - low density cabling that is easy to install
- Supports high resolution video 1600x1200 @ 75Hz
- Pure hardware solution - software/network independent
- Sturdy metal casing
- **3 Year Warranty**



MINICOM

With The Smart Extender You Are Only A Click Away

CAT5 SMART KVM EXTENDER

CONTROL YOUR COMPUTER UP TO 110M/360FT AWAY

Minicon's new generation Smart KVM Extender enables controlling a computer or KVM switch up to 110m/360ft away by extending the KVM console. This makes it a good solution for accessing computers centralized in one secure, environmentally controlled location such as those in financial institutions. A major feature of the new system is its advanced CAT5 technology. The thin CAT5 cable is easy to install and eliminates troublesome cable clutter.

From SOHO Environments To Industrial Applications

More than an extender, the Smart KVM Extender is actually a multifunctional system that performs three tasks all in one: extension, dual-user access and 2 port KVM switching. The dual user option enables two users to access the same computer making work more efficient.

As a 2-port KVM switch one user can switch between and control two computers and a second user can control one computer. This makes it an ideal solution for storage, industrial applications and Small Office Home Office (SOHO) environments (i.e. boss and secretary).

Quick Plug-and-Play Installation

The Smart KVM extender is comprised of two units which are easy to install: a transmitter and a receiver. Both are made with sturdy metal casing. The transmitter (which comes with built-in KVM cabling) connects to the computer and the receiver connects to a KVM console.

All it takes is a few seconds. A button on the receiver unit makes it simple to switch between remote and local computers.



Transmitter Unit rear view



Receiver Unit rear view

Specifications:

SYSTEM	
System Cable	CAT5 FTP Cable
Maximum Distance	110m/360ft
Mouse Support	PS/2, Wheelmouse
Operating Systems	DOS, Windows (3x, 9x, 2000, NT, ME, XP) Linux, UNIX, HP UNIX, QNX, SGI, FreeBSD, BeOS, Open VMS
Management	Push button of hot-key
Resolution	Up To 1600x1200 @ 75Hz
Operating Temperature	Up to 50°C/148°F
Storage Temperature	-40°C to 70°C/-104°F to 158°F
Order Number	ODT23001 (Transmitter & Receiver)
Warranty	3 Years limited

	TRANSMITTER	RECEIVER
Cables & Connectors	VGA - HDD15M KB - MiniDin6M Mouse - MiniDin6M System Out - RJ45 CPU - Built In	VGA - HDD15F KB - MiniDin6F Mouse - MiniDin6F System In/Out - RJ45 CPU - 3 in 1
Power Consumption	From Keyboard	External Power Adapter 6VDC 2A
Dimensions	85x113x25mm/ 0.28x0.37x0.08ft	85x149x25mm/ 0.28x0.49x0.08ft



W e b s i t e : w w w . m i n i c o m . c o m

International HQ
Jerusalem, Israel
Tel: +972 2 651 8593
Fax: +972 2 651 8971
minicom@minicom.com

North American HQ
Linden, NJ, USA
Tel: +1 908 486 2100
Fax: +1 908 486 7788
info.usa@minicom.com

German Europe
Zurich, Switzerland
Tel: +41 1 455 6220
Fax: +41 1 455 6225
info.german@minicom.com

Italy
Rome, Italy
Tel: +39 06 820 97902
Fax: +39 06 820 97903
info.italy@minicom.com

Authorized Reseller: