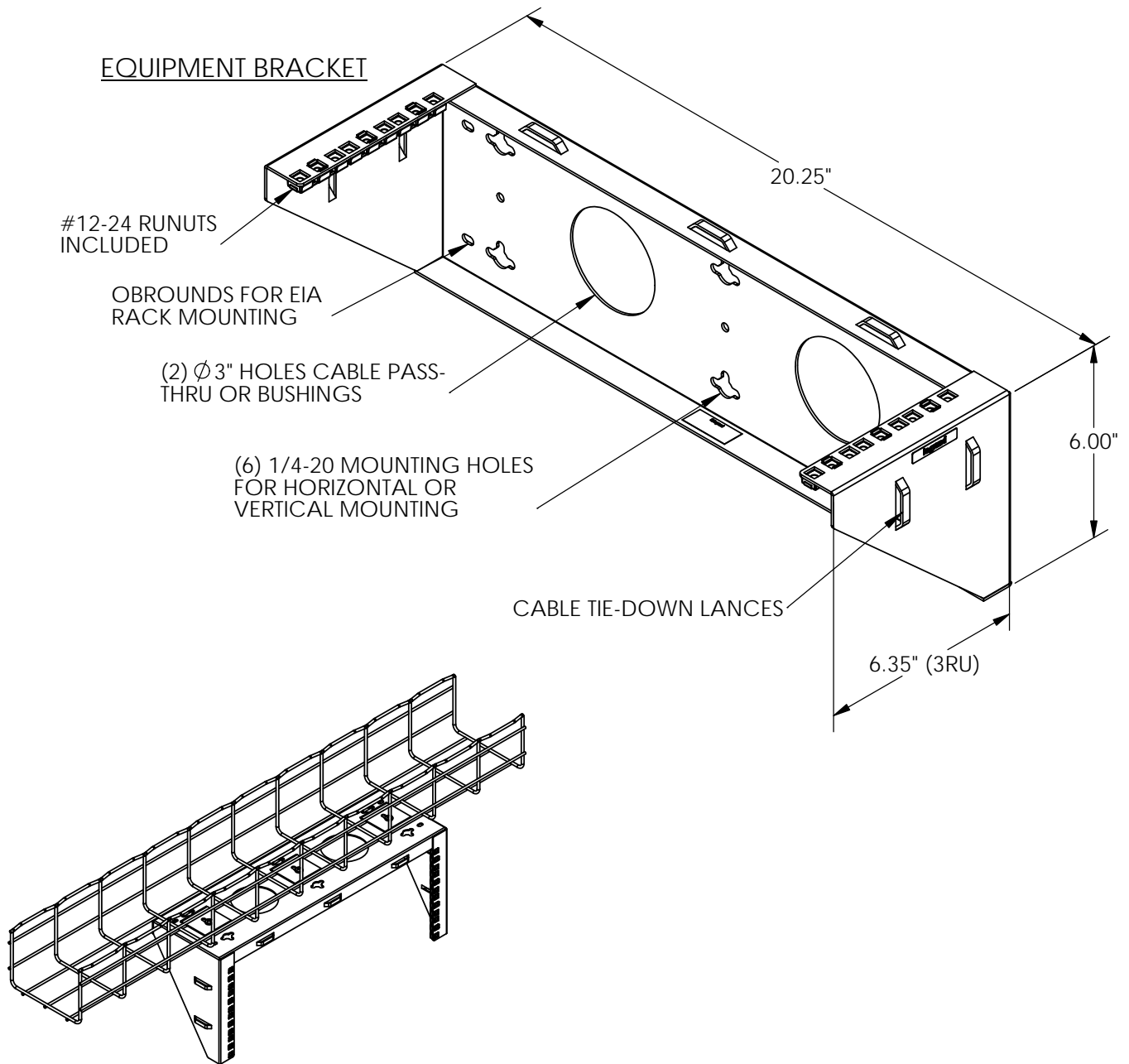


EQUIPMENT BRACKET



OPTION: ABILITY TO MOUNT TO CABLOFIL TRAY WITH CE 40 BRACKETS. (SOLD SEPARATELY)
(FOR TRAY SUPPORT REFER TO MANUFACTURER'S RECOMMENDATION)

NOTES:

- LOAD CAPACITY = 200 LBS
- 6" HOOK AND LOOP STRAPS INCLUDED (PACK OF 10)
- #12-24 PANEL MOUNTING SCREWS INCLUDED
- BRACKET MOUNTING HARDWARE TO BE PROVIDED BY INSTALLER

*** NOTICE ***
THIS DOCUMENT CONTAINS CONFIDENTIAL AND/OR PROPRIETARY INFORMATION INTENDED FOR USE ONLY BY THE INDIVIDUAL(S) PROVIDED. NEITHER THIS DOCUMENT, NOR ANY INFORMATION CONTAINED HEREIN, MAY BE COPIED, DISTRIBUTED, DISCLOSED TO ANY THIRD PARTY OR USED IN ANY MANNER OTHER THAN FOR WHICH IT HAS BEEN PROVIDED, WITHOUT THE PRIOR WRITTEN CONSENT OF LEGRAND, INC. MANUFACTURING RELEASE. PRODUCT SPECIFICATIONS AND STANDARDS ARE SUBJECT TO CHANGE WITHOUT NOTICE.



WWW.LEGRAND.US

TITLE
BRACKET KIT, VERTICAL EQUIPMENT WALL MOUNT, 3U RACK UNITS, BLACK

	NAME	DATE	SIZE	CAD FILE	DWG NO	REV
DWN	TSD	6/23/2015	A	14624C	14624	00
CHK	JQ	6/23/2015	SCALE	1:12	WEIGHT	SHEET
APPR	CV	6/23/2015				1 OF 1