

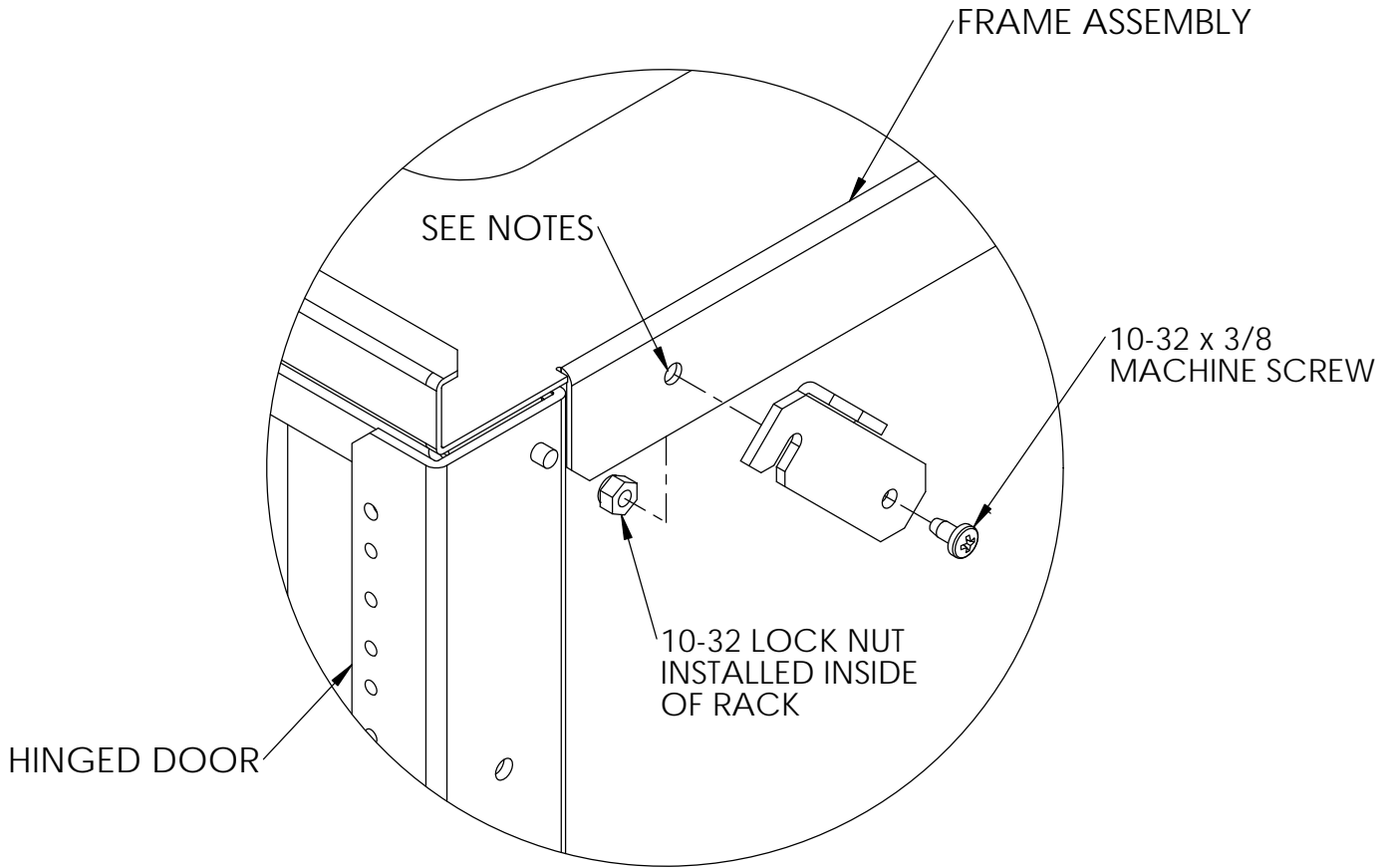
*** NOTICE ***
 THIS DOCUMENT CONTAINS CONFIDENTIAL AND/OR PROPRIETARY INFORMATION INTENDED FOR USE ONLY BY THE INDIVIDUAL(S) PROVIDED. NEITHER THIS DOCUMENT, NOR ANY INFORMATION CONTAINED HEREIN, MAY BE COPIED, DISTRIBUTED, DISCLOSED TO ANY THIRD PARTY OR USED IN ANY MANNER OTHER THAN FOR WHICH IT HAS BEEN PROVIDED, WITHOUT THE PRIOR WRITTEN CONSENT OF LEGRAND, INC. MANUFACTURING RELEASE. PRODUCT SPECIFICATIONS AND STANDARDS ARE SUBJECT TO CHANGE WITHOUT NOTICE.



WWW.LEGRAND.US


TITLE
 WALL RACK 2FT., HINGED, 18" DEPTH
 RELAY RACK, BLACK

	NAME	DATE	SIZE	CAD FILE	DWG NO	REV
DWN	TSD	6/23/2015	A	14618C	14618	00
CHK	JQ	6/23/2015	SCALE	1:5	WEIGHT	SHEET
APPR	CV	6/23/2015				1 OF 2



NOTES:

1. IF EXISTING THREADED STUD IS COMPLETELY REMOVED.
2. INSTALL SWING LATCH USING SCREW AND LOCK NUT AS SHOWN. TIGHTEN THE SCREW AND NUT COMPLETELY THEN BACK OFF 1/4 TURN.
3. IF THREADED STUD HAS BEEN SHEARED. USE A PUNCH TO REMOVE REMAINDER OF STUD AND ASSEMBLE LATCH USING INSTRUCTION #2.
4. IF DRILLING IS REQUIRED, USE A 7/32" (Ø.218) DRILL

<p style="text-align: center;">*** NOTICE ***</p> <p>THIS DOCUMENT CONTAINS CONFIDENTIAL AND/OR PROPRIETARY INFORMATION INTENDED FOR USE ONLY BY THE INDIVIDUAL(S) PROVIDED. NEITHER THIS DOCUMENT, NOR ANY INFORMATION CONTAINED HEREIN, MAY BE COPIED, DISTRIBUTED, DISCLOSED TO ANY THIRD PARTY OR USED IN ANY MANNER OTHER THAN FOR WHICH IT HAS BEEN PROVIDED, WITHOUT THE PRIOR WRITTEN CONSENT OF LEGRAND, INC. MANUFACTURING RELEASE. PRODUCT SPECIFICATIONS AND STANDARDS ARE SUBJECT TO CHANGE WITHOUT NOTICE.</p>					WWW.LEGRAND.US	
			<p>TITLE</p> <p>WALL RACK 2FT., HINGED, 18" DEPTH RELAY RACK, BLACK</p>			
	NAME	DATE	SIZE	CAD FILE	DWG NO	REV
DWN	TSD	6/23/2015	A	14618C	14618	00
CHK	JQ	6/23/2015	SCALE 1:1		WEIGHT	SHEET 2 OF 2
APPR	CV	6/23/2015				