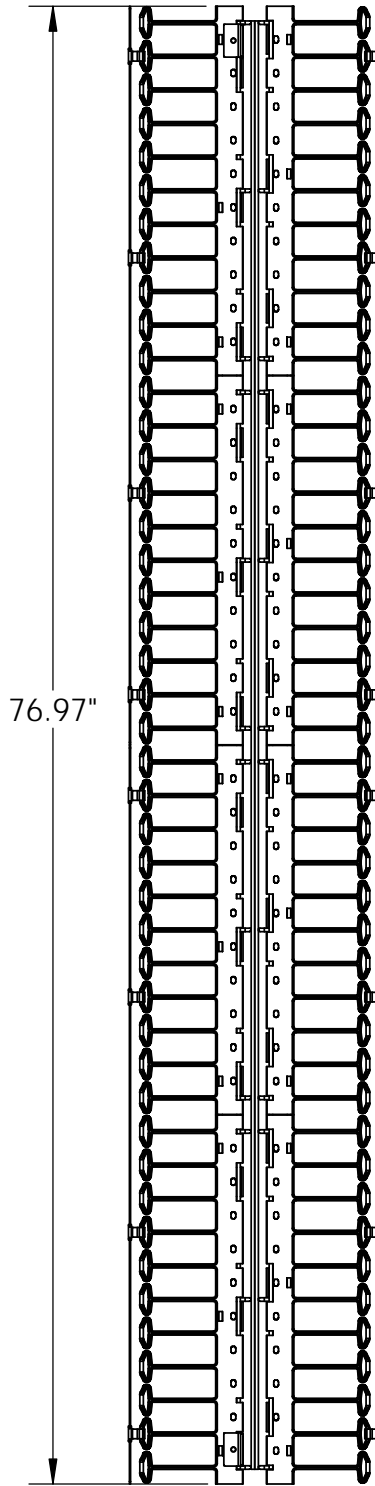
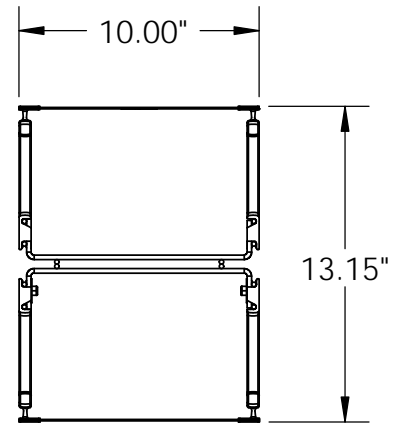


SPLIT DOOR SWINGS
OPEN BOTH WAYS
BOTH SIDES



76.97"



NOTE: MOUNTING HARDWARE
INCLUDED

*** NOTICE ***
THIS DOCUMENT CONTAINS CONFIDENTIAL
AND/OR PROPRIETARY INFORMATION INTENDED
FOR USE ONLY BY THE INDIVIDUAL(S) PROVIDED.
NEITHER THIS DOCUMENT, NOR ANY
INFORMATION CONTAINED HEREIN, MAY BE
COPIED, DISTRIBUTED, DISCLOSED TO ANY THIRD
PARTY OR USED IN ANY MANNER OTHER THAN
FOR WHICH IT HAS BEEN PROVIDED, WITHOUT THE
PRIOR WRITTEN CONSENT OF LEGRAND, INC.
MANUFACTURING RELEASE, PRODUCT
SPECIFICATIONS AND STANDARDS ARE SUBJECT
TO CHANGE WITHOUT NOTICE.

legrand[®]

WWW.LEGRAND.US

TITLE

10" VERTICAL CABLE MANAGEMENT
CAGE, DUAL VERSION

	NAME	DATE	SIZE	CAD FILE	DWG NO	REV
DWN	TSD	6/23/2015	A	14608C	14608	00
CHK	JQ	6/23/2015	SCALE	1:20	WEIGHT	SHEET
APPR	CV	6/23/2015				1 OF 1