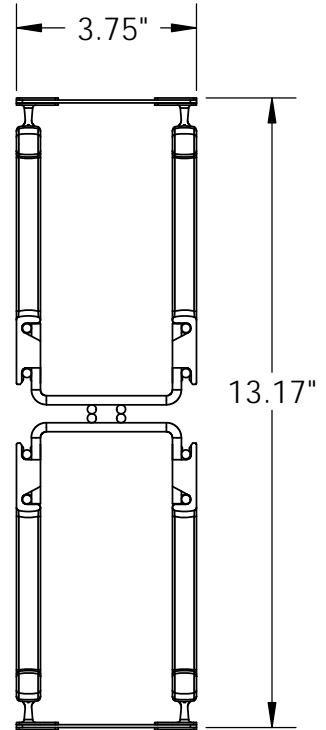
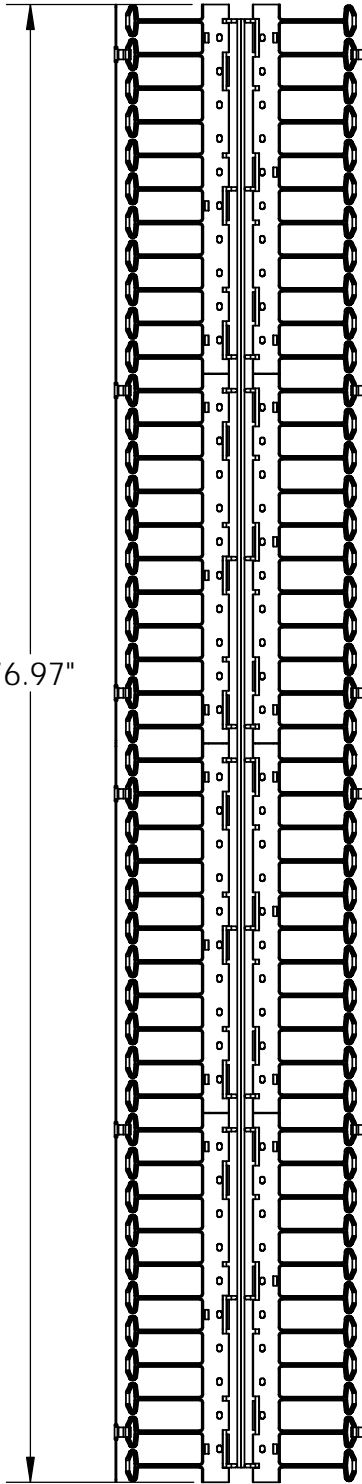


SPLIT DOOR  
SWINGS OPEN  
BOTH WAYS  
BOTH SIDES

76.97"



\*\*\* NOTICE \*\*\*  
THIS DOCUMENT CONTAINS CONFIDENTIAL AND/OR PROPRIETARY INFORMATION INTENDED FOR USE ONLY BY THE INDIVIDUAL(S) PROVIDED. NEITHER THIS DOCUMENT, NOR ANY INFORMATION CONTAINED HEREIN, MAY BE COPIED, DISTRIBUTED, DISCLOSED TO ANY THIRD PARTY OR USED IN ANY MANNER OTHER THAN FOR WHICH IT HAS BEEN PROVIDED, WITHOUT THE PRIOR WRITTEN CONSENT OF LEGRAND, INC. MANUFACTURING RELEASE. PRODUCT SPECIFICATIONS AND STANDARDS ARE SUBJECT TO CHANGE WITHOUT NOTICE.

**legrand**<sup>®</sup> WWW.LEGRAND.US

TITLE  
STANDARD VERTICAL MANAGEMENT CAGE,  
DUAL 3.75 X 13.17 X 76.97

	NAME	DATE	SIZE	CAD FILE	DWG NO	REV
DWN	TSD	6/23/2015	A	14605C	14605	00
CHK	JQ	6/23/2015	SCALE	1:16	WEIGHT	SHEET
APPR	CV	6/23/2015				1 OF 1