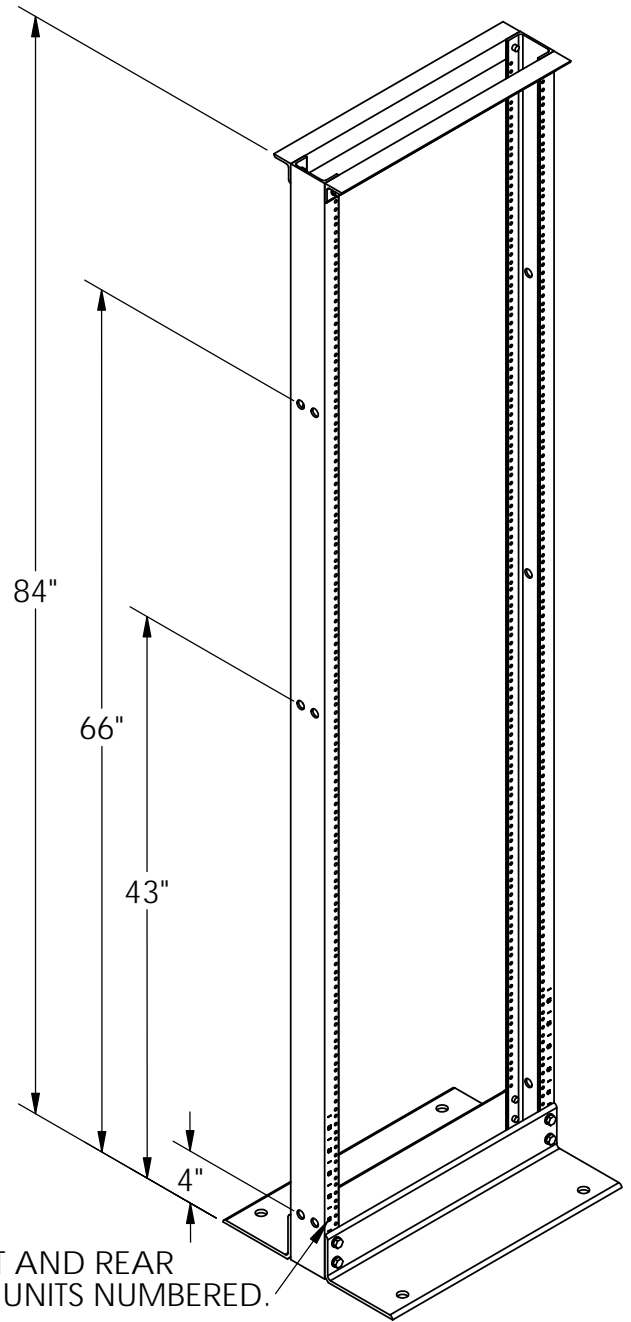
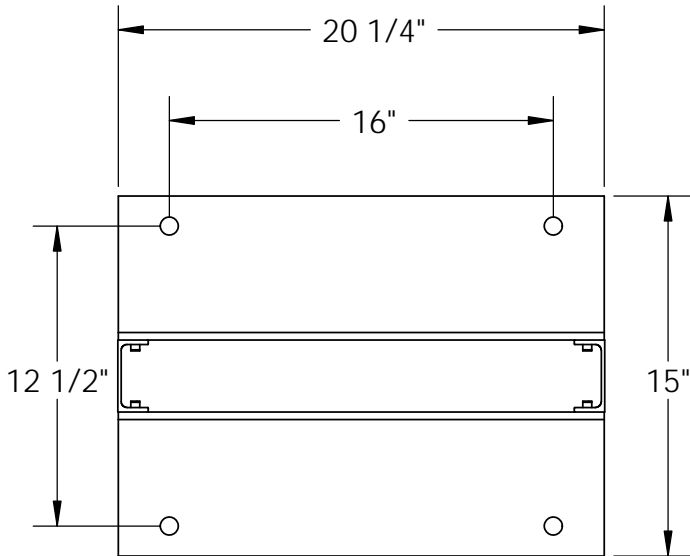


FOOT PRINT



- NOTES:
1. ALL DIMENSIONS ARE IN INCHES.
  2. RACK MOUNTED SPACING PER ANSI E1A310D.
  3. STATIC LOAD CAPACITY IS 1000 LBS.
  4. EVENLY DISTRIBUTED WITH RACK PROPERLY SECURED.
  5. EQUIPMENT RACKS ARE UL LISTED.  
(COMMUNICATION CIRCUIT ACCESSORY)

\*\*\* NOTICE \*\*\*  
 THIS DOCUMENT CONTAINS CONFIDENTIAL AND/OR PROPRIETARY INFORMATION INTENDED FOR USE ONLY BY THE INDIVIDUAL(S) PROVIDED. NEITHER THIS DOCUMENT, NOR ANY INFORMATION CONTAINED HEREIN, MAY BE COPIED, DISTRIBUTED, DISCLOSED TO ANY THIRD PARTY OR USED IN ANY MANNER OTHER THAN FOR WHICH IT HAS BEEN PROVIDED, WITHOUT THE PRIOR WRITTEN CONSENT OF LEGRAND, INC. MANUFACTURING RELEASE. PRODUCT SPECIFICATIONS AND STANDARDS ARE SUBJECT TO CHANGE WITHOUT NOTICE.



WWW.LEGRAND.US

TITLE

STANDARD EIA EQUIPMENT RACK,  
 19" WIDE, 84" HEIGHT, BLACK

	NAME	DATE	SIZE	CAD FILE	DWG NO	REV
DWN	TD	6/23/2015	A	14588C	14588	00
CHK	JQ	6/23/2015	SCALE	1:24	WEIGHT	SHEET
APPR	CV	6/23/2015				1 OF 1