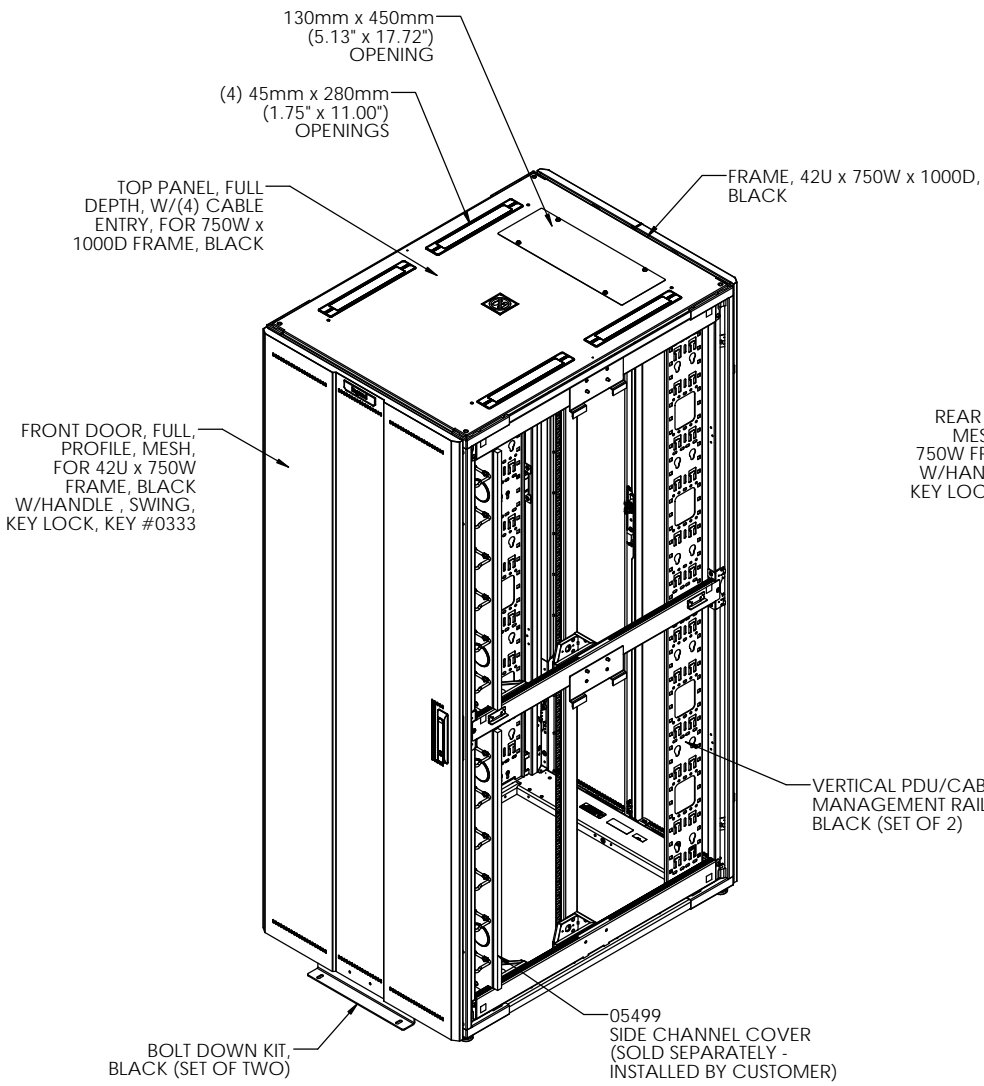


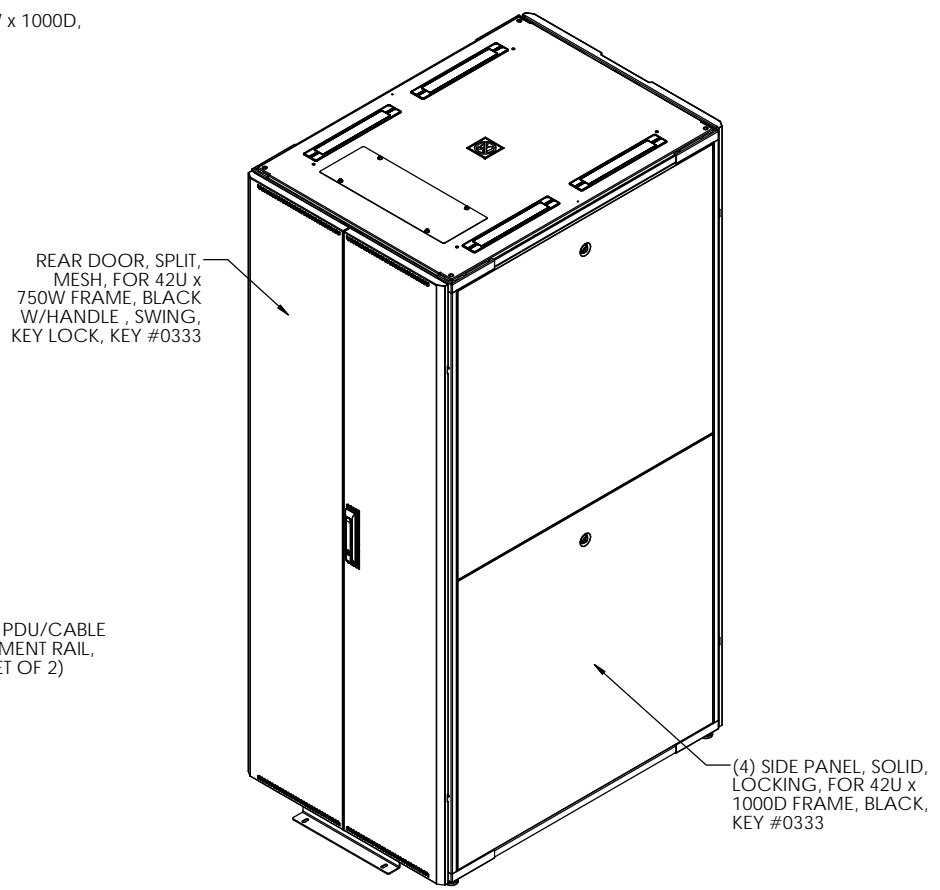
8 7 6 5 4 3 2 1

F
E
D
C
B
A

F
E
D
C
B
A



FRONT ISOMETRIC VIEW
(SIDE PANELS REMOVED FOR VIEWING)

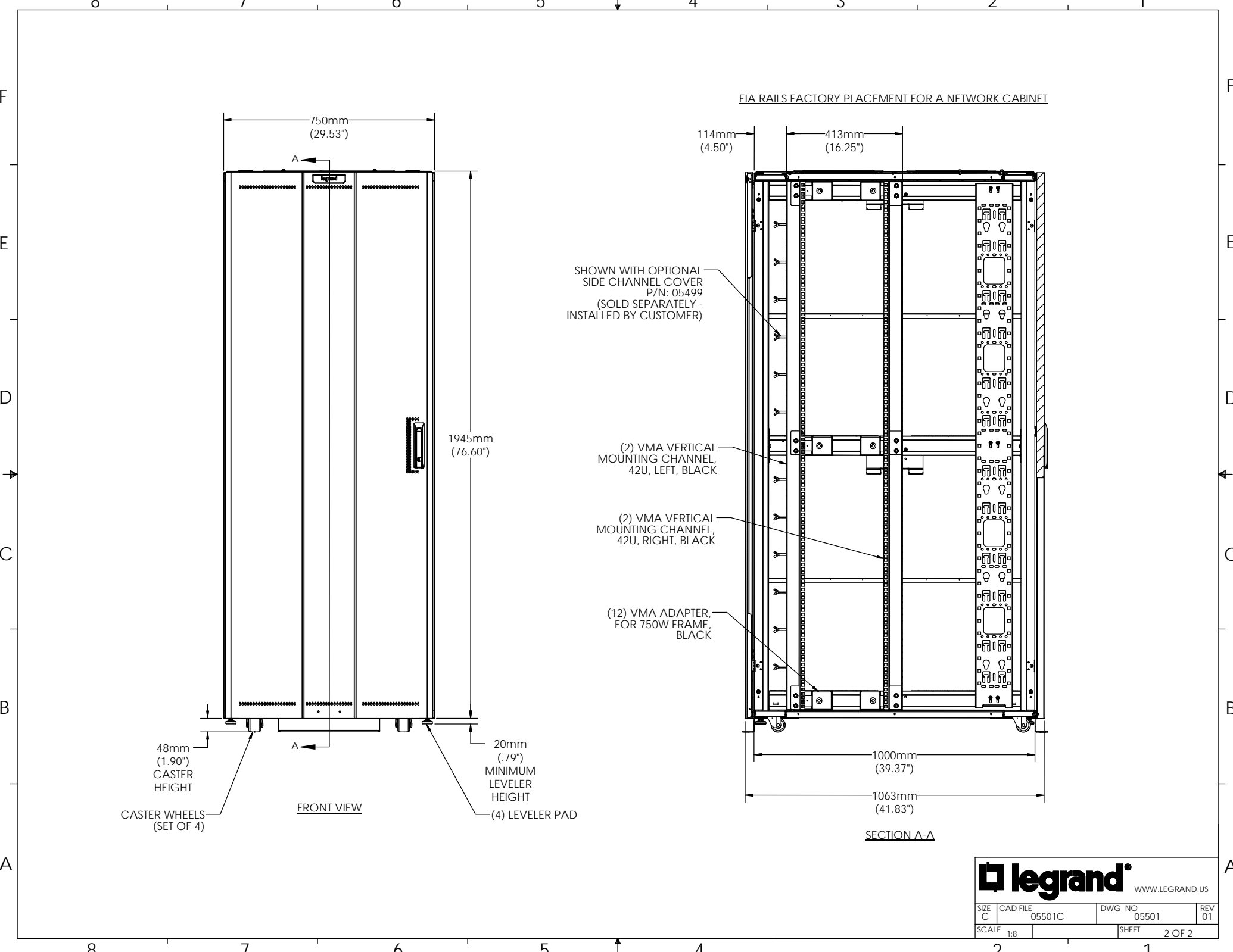


REAR ISOMETRIC VIEW

ALSO INCLUDED:
(1) CABINET BAYING KIT (SET OF 4)
(1) MOUNTING HARDWARE (SET OF 50) NUT/SCREW/CUP W/TOOL

<p>*** NOTICE *** THIS DOCUMENT CONTAINS CONFIDENTIAL AND/OR PROPRIETARY INFORMATION INTENDED FOR USE ONLY BY THE INDIVIDUAL(S) PROVIDED. NEITHER THIS DOCUMENT, NOR ANY INFORMATION CONTAINED HEREIN, MAY BE COPIED, DISTRIBUTED, DISCLOSED TO ANY THIRD PARTY OR USED IN ANY MANNER OTHER THAN FOR WHICH IT HAS BEEN PROVIDED, WITHOUT THE PRIOR WRITTEN CONSENT OF ORTRONICS, INC.</p>				<p>WWW.LEGRAND.US</p>	
<p>TITLE NETWORK CABINET, 42U x 750W x 1000D, BLACK</p>					
NAME	DATE	SIZE	CAD FILE	DWG NO	REV
DWN JT	5/20/2015	C	05501C	05501	01
CHK CAC	5/21/2015	SCALE 1:10		SHEET 1 OF 2	
APPR CV	5/21/2015				

8 7 6 5 4 3 2 1



FIA RAILS FACTORY PLACEMENT FOR A NETWORK CABINET

SHOWN WITH OPTIONAL
SIDE CHANNEL COVER
P/N: 05499
(SOLD SEPARATELY -
INSTALLED BY CUSTOMER)

(2) VMA VERTICAL
MOUNTING CHANNEL,
42U, LEFT, BLACK

(2) VMA VERTICAL
MOUNTING CHANNEL,
42U, RIGHT, BLACK

(12) VMA ADAPTER,
FOR 750W FRAME,
BLACK

48mm
(1.90")
CASTER
HEIGHT

CASTER WHEELS
(SET OF 4)

FRONT VIEW

20mm
(.79")
MINIMUM
LEVELER
HEIGHT

(4) LEVELER PAD

SECTION A-A



SIZE C	CAD FILE 05501C	DWG NO 05501	REV 01
SCALE 1:8	SHEET 2 OF 2		